



technical specifications LR15B

general

- High-performance line-array LFE system for medium applications
- Stackable and flyable with LR15 line-array or in separate curved arrays
- Maximum deployment flexibility also in cardioid - and end-fire arrays
- Neodymium dual-coil 15" driver with lowest possible distortion
- SIS™ pre-wired for very high system damping and further reduced distortion
- Front-positioned NL4 connector for easy cardioid connection



description

The LR15B is the dedicated low-frequency extension to the LR15 pro-ribbon line-array. It can also be combined with any other Alcons pro-ribbon system, in both permanent and portable applications.

The front-loaded system delivers a super accurate bass and sub response with highest output under lowest distortion, due to the long-stroke 15" woofer. This new-generation transducer is fitted with a large, dual- 3.5" voice-coil Neodymium motor, enabling a significantly-extended excursion*, while maintaining a high sensitivity. Specific attention in this design has been paid to obtain lowest possible distortion. The Max-Vent™ port design combines further increased output with low power compression. **(not included in SPLpeak spec).*

Optimal deployment flexibility is guaranteed: The LR15B can be used as single subwoofer or in multiples; As end-fire or cardioid array; Together with

LR15 or in separate sub-only arrays. All functionality is possible in stacked or flown configurations.

The integrated stand mount adapter provides for easy top/sub combinations with any Alcons pro-ribbon system.

Rated for a high WorkingLoadLimit with 1:10 safety ratio, the versatile rigging system, with front and rear splaying possibility, enables straight or pre-curved flown (cardioid) arrays, to be flown besides or behind an LR15 array.

Array configurations can be simulated through the LR15 GLL in the Alcons Ribbon Calculator (ARC), Alcons' high-resolution 3D simulation program.

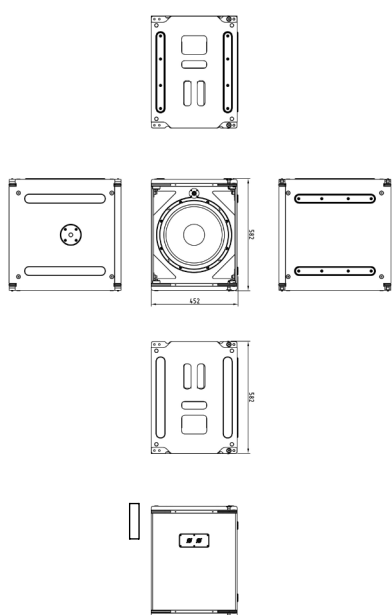
Mobile (cardioid) stacks of up to 3 units can be transported through the PRRGLR15B pre-rig, including stack-specific softcover.

For full system performance, the LR15B is to be driven and controlled by the ALC amplified loudspeaker controller; Driven by the ALC, the LR15B delivers full operation flexibility, maximum sound quality and output power with long-term operation reliability.

The Signal Integrity Sensing™ pre-wiring ensures complete cable/connector compensation between the LR15B and ALC, significantly increasing response accuracy and reducing both linear and non-linear distortion to an absolute minimum, regardless of cable length and system impedance.

technical specifications LR15B

dimensional drawing



technical specifications

Frequency response	43 Hz - 200 Hz	(+/- 3 dB)
	35 Hz -	(+/- 10 dB)
Sensitivity nominal	99 dB (40 Hz - 100 Hz)	
Nominal impedance	8 ohms	
Recommended drive	Sentinel10, max. 3 pcs. per channel (2,7 ohms)	
Nominal SPL peak	124 dB (Sentinel3 40 Hz - 100 Hz)	
	130 dB (Sentinel10 40 Hz - 100 Hz)	
	135 dB (comparitive)	
Dispersion H x V	omni/(hyper)cardioid in array with processing	

physical specifications

System	Subwoofer	
Drivers LF	1x AW15.352ND-8 15", vented	
Connectors	3x Speakon NL4 input/link	
Physical dimensions	mm	inches
Height	452	17.8
Width	582	22.9
Depth	582	22.9
Weight (approx.)	kg	lb
	31	68.3
Warranty	6 years limited	

A: Alcons Audio
De Corantijn 10
1689 AP ZWAAG
The Netherlands

E: info@alconsaudio.com
W: www.alconsaudio.com
T: +31 (0)229 28 30 90