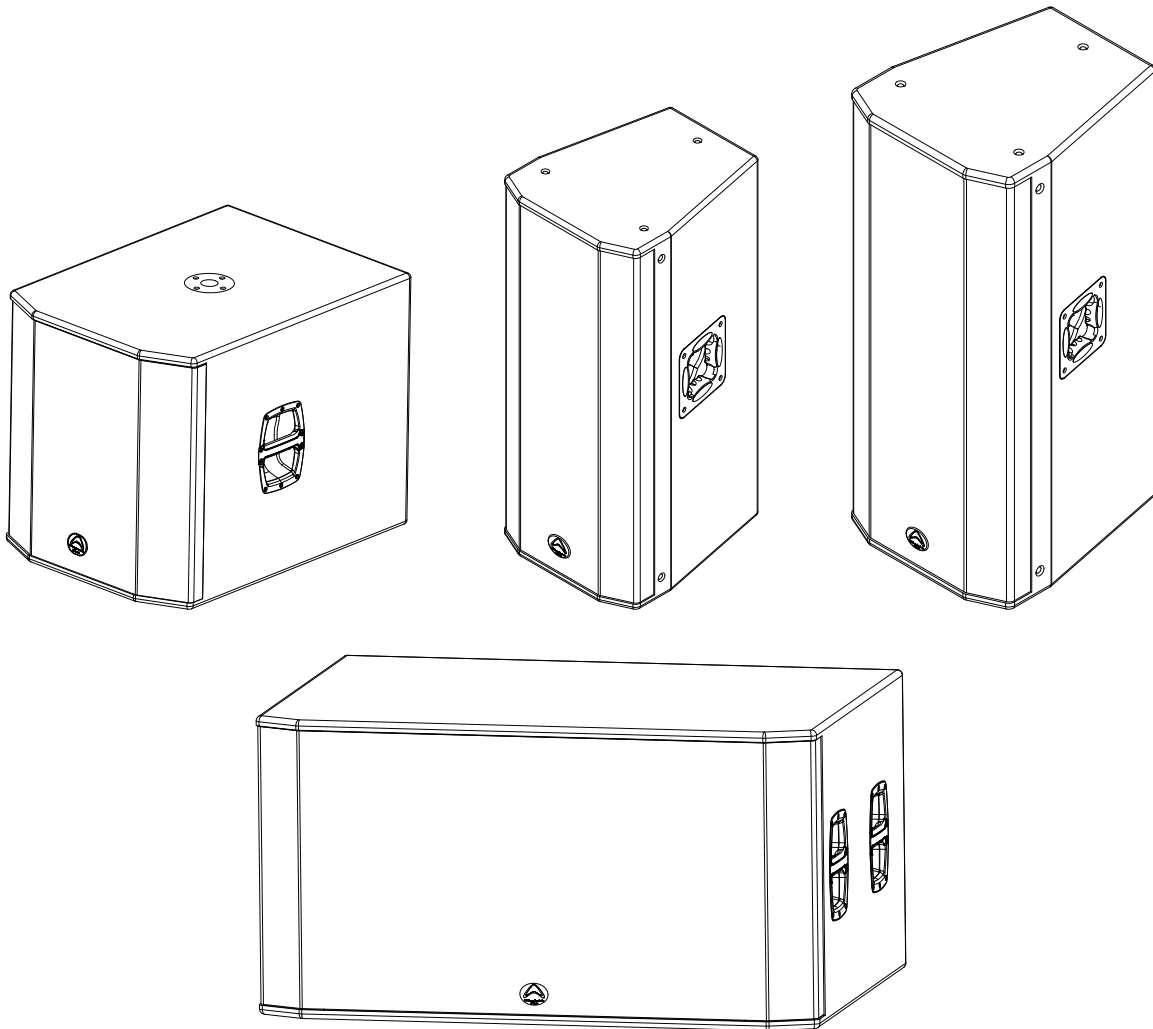


Reason SERIES

Passive Loudspeakers

Reason-X18B Reason-X218
Reason-X12 Reason-X15



www.wharfedalepro.com

TABLE OF CONTENTS

Important warnings & safety instructions	1
Product features	2 - 3
Dimensional drawings	4 - 5
Specifications	6 - 7

IMPORTANT WARNINGS & SAFETY INSTRUCTIONS

1. READ ALL INSTRUCTIONS – Carefully and become familiar with the features and functions of these products before operating them.

2. RETAIN THESE INSTRUCTIONS – For future reference.

3. COMPLY WITH ALL WARNINGS – Non compliance may void warranty of the product.

4. USE WITH AMPLIFIERS – In order to avoid damage to drivers and other equipment, it is advisable to establish and follow a routine for powering up and powering down a sound system. With all system components connected, turn on source equipment (mixers, signal processors, record and playback units etc.) BEFORE powering up amplifiers. Transient voltages from powering up source equipment can damage speakers if amplifiers are already turned on.

Make sure that amplifier volumes are set to their minimum settings and power up any system amplifiers LAST. It is recommended that all system components be allowed to stabilize for few seconds before any source signals are introduced or level setting adjustments are made. Similarly, when shutting systems down, turn all amplifiers off first, before powering down any other system components.

5. CABLES – Do not use shielded or microphone cables for connection between amplifiers and speakers. Use only approved speaker cables with proper connectors.

6. RIGGING – SUSPENDING – MOUNTING – RIGGING – Suspending and mounting of these speaker systems can expose members of the public to serious health risks and even death. Under no circumstances attempt to rig, suspend or otherwise mount these speakers unless you are fully qualified and certified to do so by relevant local, state and national authorities. All relevant safety regulations must be followed. If you are not properly qualified or do not know of pertinent regulations, consult qualified personnel for advice.

7. CAUTION – These professional loudspeaker systems are capable of generating very high sound pressure levels. Use care with placement and operation to avoid exposure to excessive volume levels. Permanent hearing damage can result when operated to extreme levels.

8. SERVICE – There are no user serviceable parts inside this product. Users should not attempt to service this product. Warranty nullification could result if this is attempted.

9. UNPACKING - All Wharfedale Pro products are fully checked before leaving our factory. After unpacking please inspect the cabinets for any physical damage Please retain the shipping carton if possible and internal packing material incase the unit ever needs to be returned. Please check as soon as possible that the unit is functioning. In the event of any damage please contact your dealer immediately so that a written claim for damage can be made.



PRODUCT FEATURES

The Reason-X Series of loudspeakers has been meticulously crafted to be at the forefront of audio technology.

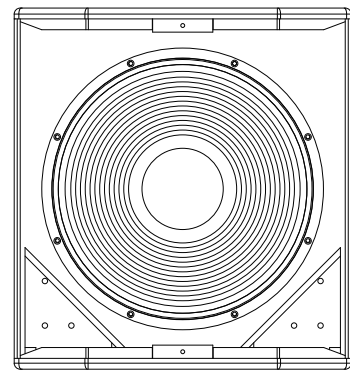
Reason-X is a versatile loudspeaker for live performance or permanently installed audio reproduction and is built around the vast experience of the Wharfedale Pro design team.

The high frequency compression driver is unique. Delivering a special feel to the high frequencies due to its efficient neodymium magnet. This is enhanced by a polyethylene diaphragm which, as you will shortly experience, gives a freshness, a clarity and a crispness to the high frequencies which is unparalleled.

Close your eyes and enjoy the new detail you will find in your audio.

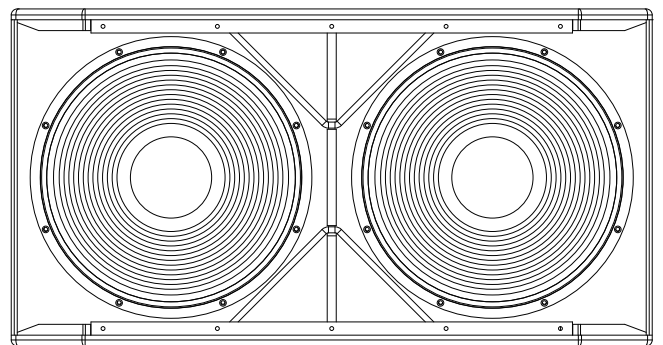
Reason-X18B

10", 2-way passive loudspeaker
2.5" LF voice coil
1.5 inch ring-shaped polyethylene flat diaphragm
Neodymium HF magnet
Rotatable waveguide with 100° x 70° dispersion
Birch plywood construction
128dB max SPL
60Hz - 20kHz
300w RMS
600w Programme
1200w Peak



Reason-X218B

12", 2-way passive loudspeaker
3.0" LF voice coil
1.5 inch ring-shaped polyethylene flat diaphragm
Neodymium HF magnet
Rotatable waveguide with 100° x 70° dispersion
Birch plywood construction
130dB max SPL
55Hz - 20kHz
400w RMS
800w Programme
1600w Peak



PRODUCT FEATURES

The Reason-X Series of loudspeakers has been meticulously crafted to be at the forefront of audio technology.

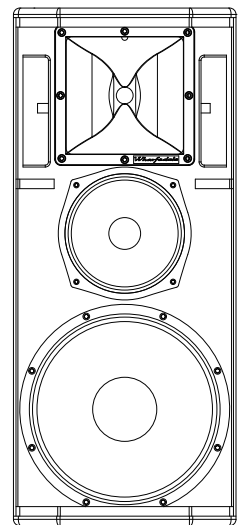
Reason-X is a versatile loudspeaker for live performance or permanently installed audio reproduction and is built around the vast experience of the Wharfedale Pro design team.

The high frequency compression driver is unique. Delivering a special feel to the high frequencies due to its efficient neodymium magnet. This is enhanced by a polyethylene diaphragm which, as you will shortly experience, gives a freshness, a clarity and a crispness to the high frequencies which is unparalleled.

Close your eyes and enjoy the new detail you will find in your audio.

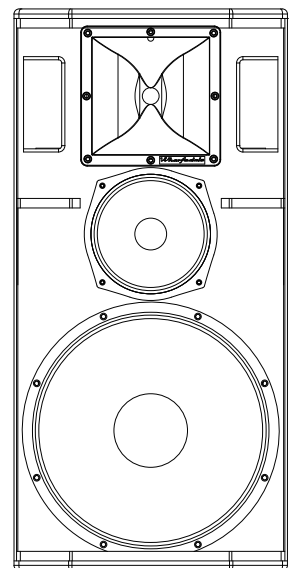
Reason-X12

- 10", 2-way passive loudspeaker
- 2.5" LF voice coil
- 1.5 inch ring-shaped polyethylene flat diaphragm
- Neodymium HF magnet
- Rotatable waveguide with 100° x 70° dispersion
- Birch plywood construction
- 128dB max SPL
- 60Hz - 20kHz
- 300w RMS
- 600w Programme
- 1200w Peak



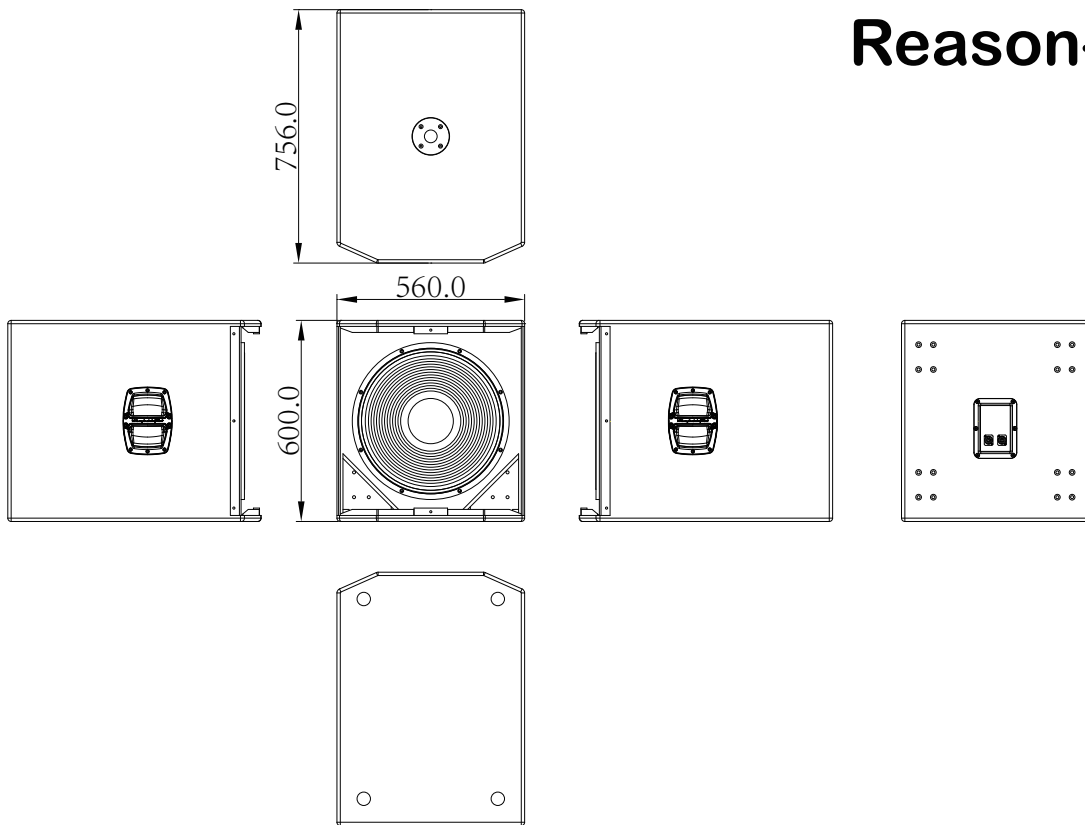
Reason-X15

- 12", 2-way passive loudspeaker
- 3.0" LF voice coil
- 1.5 inch ring-shaped polyethylene flat diaphragm
- Neodymium HF magnet
- Rotatable waveguide with 100° x 70° dispersion
- Birch plywood construction
- 130dB max SPL
- 55Hz - 20kHz
- 400w RMS
- 800w Programme
- 1600w Peak

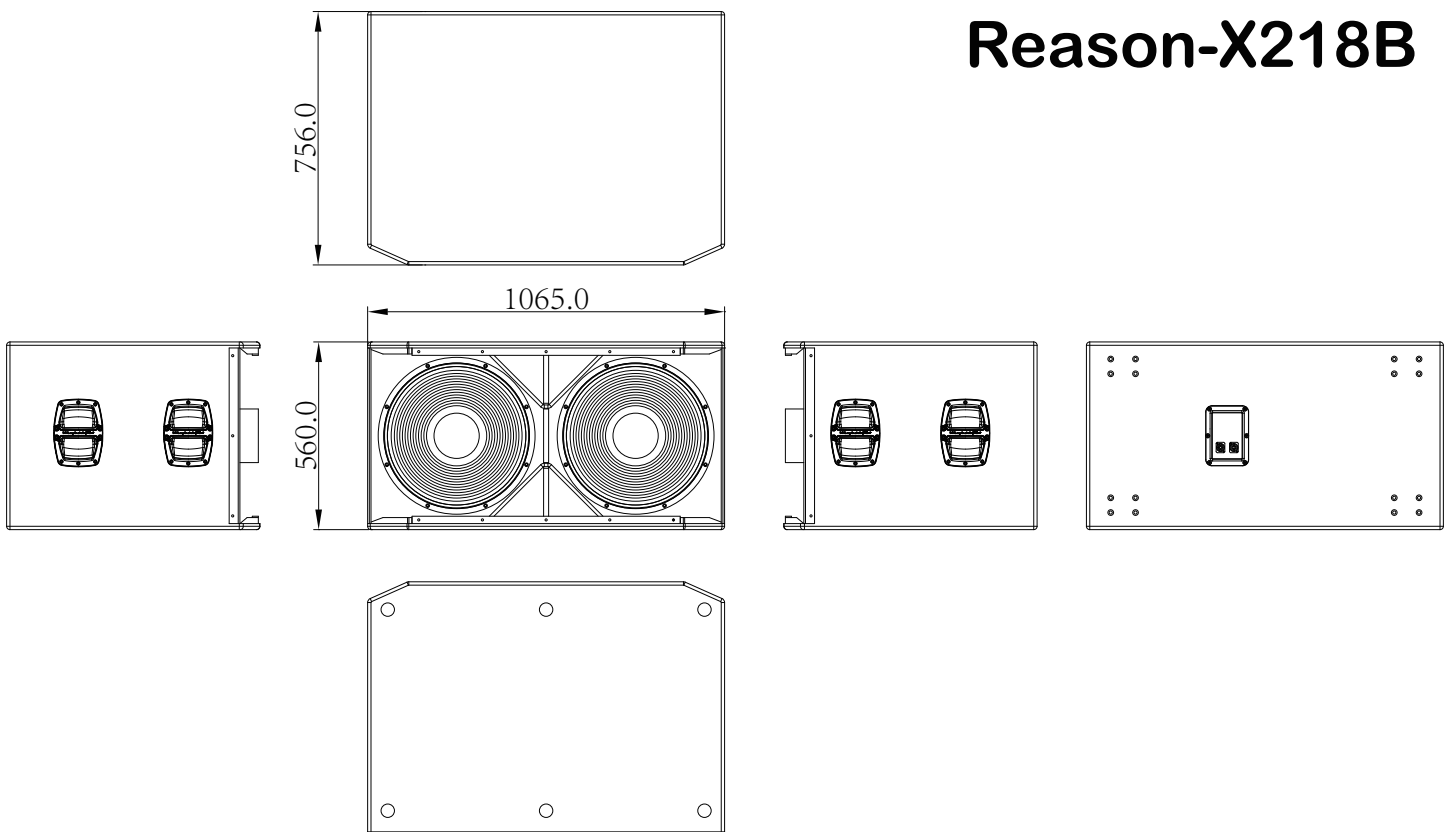


DIMENSIONAL DRAWINGS

Reason-X18B

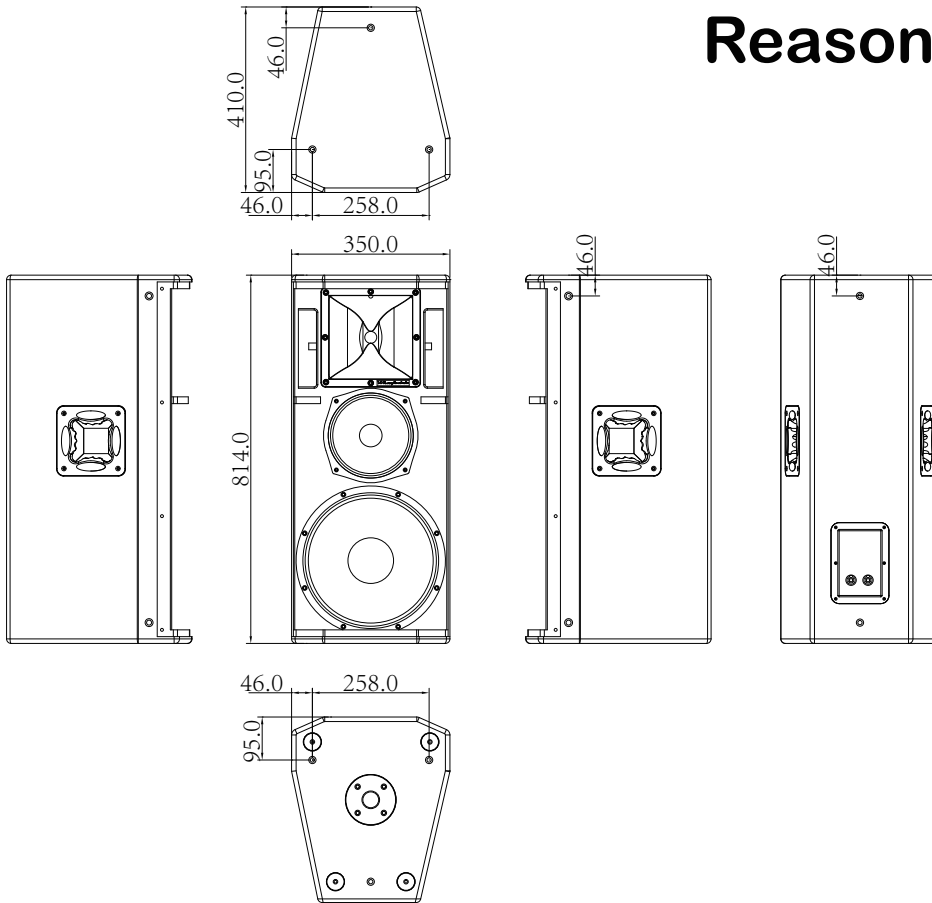


Reason-X218B

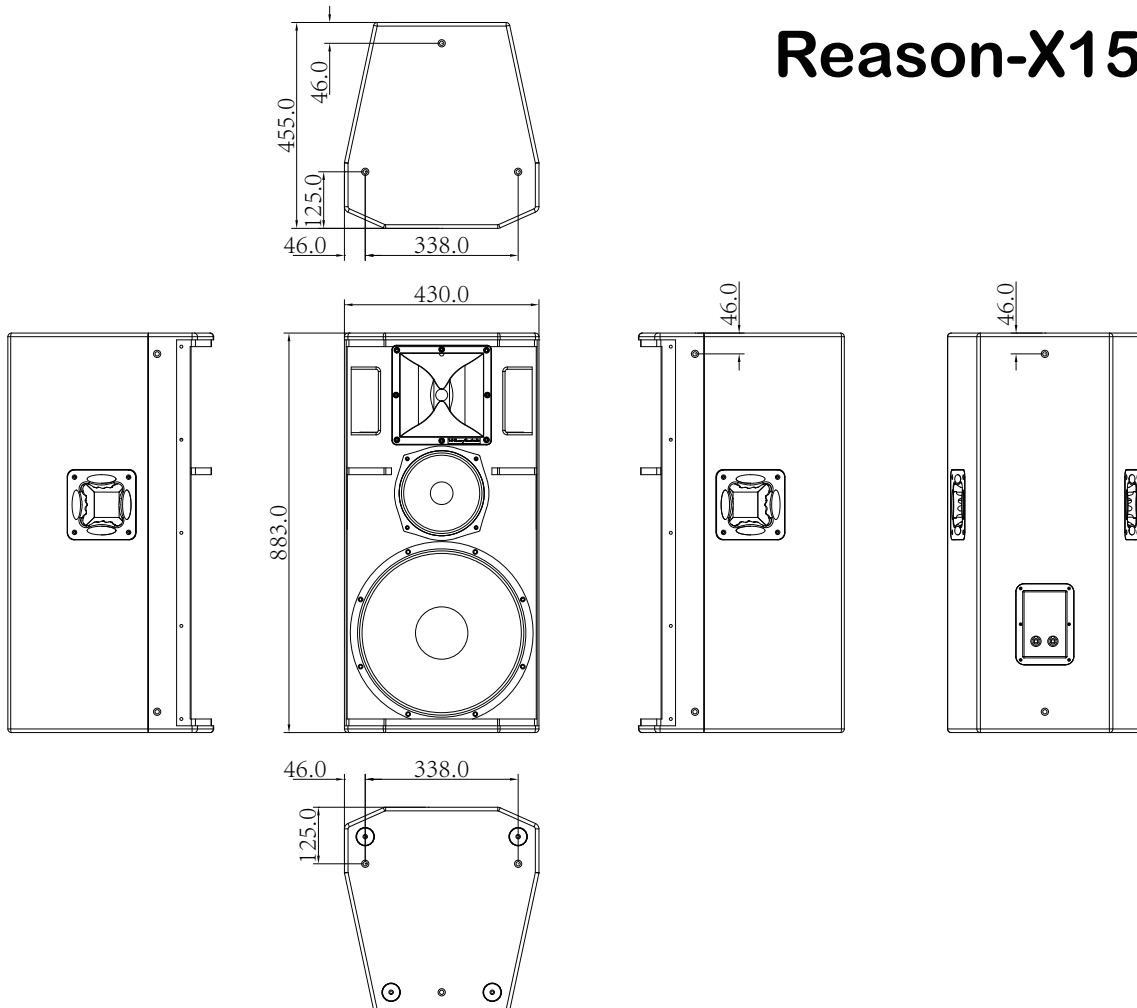


DIMENSIONAL DRAWINGS

Reason-X12



Reason-X15



SPECIFICATIONS

Model Name	Reason-X18B	Reason-X218B
System Type	Passive	Passive
Configuration	Single Subwoofer	Dual Subwoofer
Frequency Response (+/-3dB)	35Hz - 1kHz	30Hz - 1kHz
Frequency Range (-10dB)	30Hz - 800Hz	25Hz - 800Hz
Sensitivity (2.83v/1m)	103dB	109dB
Calculated Maximum SPL @1m	139dB	148dB
System Rated Impedance	8Ω	4Ω
Low Frequency Transducer		
Size	470mm / 18"	470mm / 18"
Voice Coil Size	102mm / 4"	102mm / 4"
LF Magnet Material	ferrite	ferrite
LF Frame Material	Aluminium	Aluminium
Rated Impedance	8Ω	2 x 8Ω
LF Power re:AES2-2012	1000W	2 x 1000W
System Continuous Power (W)	1000W	2000W
System Programme Power (W)	2000W	4000W
System Peak Power (W)	4000W	8000W
Input Connector	2 x speakON	2 x speakON
Rigging	NO	NO
Handles	2 on Sides	4 on Sides
Enclosure		
Cabinet Type	square	square
Enclosure Material and finish	18mm plywood	18mm plywood
Colour Options	Black paint	Black paint
Grille Material & Finish	Steel	Steel
Dimensions - Unpacked (mm / inches):		
Height	600mm / 23.6"	560mm / 22.0"
Width Front	560mm / 22.0"	1065mm / 41.9"
Width Rear	560mm / 22.0"	1065mm / 41.9"
Depth	756mm / 29.8"	756mm / 29.8"
Dimensions - Packed (mm / inches):		
Height	670mm / 26.4"	668mm / 26.3"
Width Front	829mm / 32.6"	1138mm / 44.8"
Width Rear	829mm / 32.6"	1138mm / 44.8"
Depth	633mm / 24.9"	829mm / 32.6"
Weight		
Net Weight (kg / lbs)	45.5kg / 100.1lbs.	73.8kg / 162.4lbs.
Gross Weight (kg / lbs)	55.2kg / 121.4lbs.	87.7kg / 192.9lbs.

SPECIFICATIONS

Model Name	Reason-X12	Reason-X15
System Type	Passive	Passive
Configuration	Three-way	Three-way
Frequency Response (+/-3dB)	55Hz - 20kHz	45Hz - 20kHz
Frequency Range (-10dB)	50Hz - 20kHz	40Hz - 20kHz
Sensitivity (2.83v/1m)	98dB	99dB
Calculated Maximum SPL @1m	131dB	133dB
System Rated Impedance	8Ω	8Ω
Low Frequency Transducer		
Size	332mm / 12"	404mm / 15"
Voice Coil Size	75mm / 3.0"	75mm / 3.0"
LF Magnet Material	ferrite	ferrite
LF Frame Material	Aluminium	Aluminium
Rated Impedance	8Ω	8Ω
LF Power re: AES2-2012	400W	500W
Mid Frequency Transducer		
Size	203.8mm / 8"	203.8mm / 8"
Voice Coil Size	50.8mm / 2.0"	50.8mm / 2.0"
MF Magnet Material	ferrite	ferrite
MF Frame Material	Aluminium	Aluminium
Rated Impedance	8Ω	8Ω
MF Power re: AES2-2012	100W	100W
High Frequency Transducer		
HF Driver Type	Compression Driver	Compression Driver
Coil Size (mm / inches)	38mm / 1.5"	38mm / 1.5"
Exit Size (mm / inches)	25mm / 1"	25mm / 1"
HF Magnet Material	NdFeB	NdFeB
Diaphragm Material	PEN	PEN
Rated Impedance	8Ω	8Ω
HF Power re: AES2-2012	40W	40W
Waveguide Type	square	square
Nominal Coverage (H x V)	100 x 70	100 x 70
Nominal Impedance	8Ω	8Ω
Power		
System Continuous Power (W)	500W	600W
System Programme Power (W)	1000W	1200W
System Peak Power (W)	2000W	2400W
Crossover Frequency	800Hz / 2.7kHz	800Hz / 2.7kHz
Input Connector	2 x speakON	2 x speakON
Rigging	M8 x 12	M8 x 12
Handles	2	2
Enclosure		
Cabinet Type	Trapezoid	Trapezoid
Enclosure Material and finish	15mm plywood	15mm plywood
Colour Options	Black paint	Black paint
Grille Material & Finish	Steel	Steel
Dimensions - Unpacked (mm / inches):		
Height	814mm / 32.0"	883mm / 34.8"
Width Front	350mm / 13.8"	430mm / 16.9"
Width Rear	231mm / 9.1"	298mm / 11.7"
Depth	410mm / 16.1"	455mm / 17.9"
Dimensions - Packed (mm / inches):		
Height	909mm / 35.8"	978mm / 38.5"
Width Front	500mm / 19.7"	545mm / 21.5"
Width Rear	500mm / 19.7"	545mm / 21.5"
Depth	440mm / 17.3"	520mm / 20.5"
Weight		
Net Weight (kg / lbs)	29.0kg / 63.8lbs	32.5kg / 71.5lbs
Gross Weight (kg / lbs)	33.7kg / 74.2lbs	37.5kg / 82.5lbs

WHARFEDALE PRO LIMITED WARRANTY

Wharfedale Pro products are warranted of manufacturing or material defects for a period of three years from the original date of purchase. In the event of malfunction, contact your authorised Wharfedale Pro dealer or distributor for information.

Please be aware that the warranty details may differ from country to country. Contact your dealer or distributor for information (available at www.wharfedalepro.com). These terms do not infringe your statutory rights.



WHARFEDALE PROFESSIONAL

IAG House, 13/14 Glebe Road, Huntingdon, Cambridgeshire, PE29 7DL, UK
www.wharfedalepro.com

Wharfedale Professional reserves the right to alter or improve specifications without notice.
All rights reserved © 2023 Wharfedale Pro. Wharfedale Pro is a member of the IAG Group.