

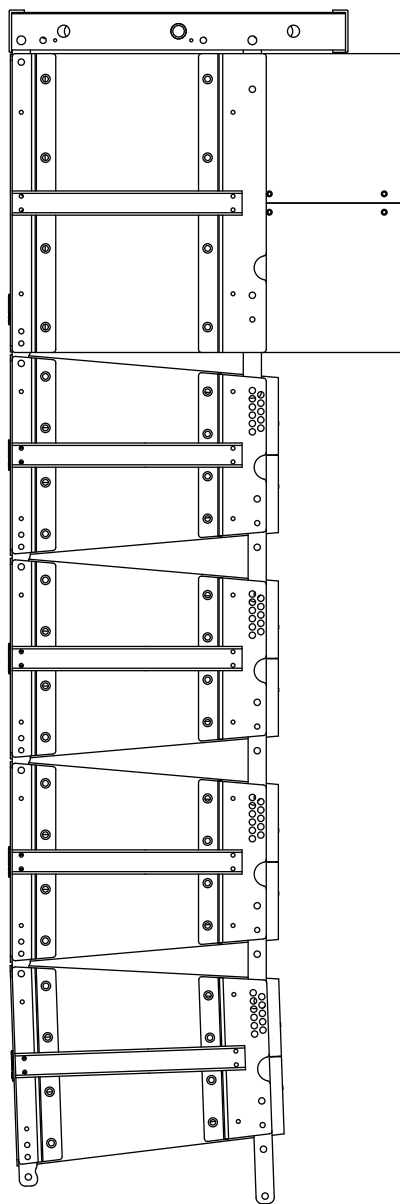


WLA-210XF

WLA-210XSUBF

WLA-XF Common Fly Frame

IPX6 Certified Line Array Series



Wharfedale
Pro

www.wharfedalepro.com

IMPORTANT WARNINGS & SAFETY INSTRUCTIONS

- Read these instructions
- Follow these instructions
- Keep these instructions for future reference
- Heed all warnings
- Clean only with a dry cloth
- Install in accordance with these Wharfedale Pro operating instructions
- Follow the manufacturer's operating instructions for all peripheral devices such as amplifiers and processors
- Do not install near heat sources such as radiators, heat registers, stoves or any other apparatus that produces heat (for example lighting systems and amplifiers)
- Use only accessories specified or supplied by Wharfedale Pro
- Do not use shielded microphone/instrument cables to connect amplifiers and speakers, use only approved speaker cables with proper connectors
- Use caution with placement and operation of this speaker system, permanent hearing damage can be caused by prolonged exposure to excessive sound pressure levels
- Refer all servicing to qualified professionals. Servicing is required when the loudspeaker has been damaged in any way, such as impact damage, liquid ingress or foreign object damage. In addition the loudspeaker should be referred to qualified service personnel if there is any kind of malfunction.



Rigging, suspending and mounting should only be attempted by experience qualified professionals. Incorrect usage can result in damage to equipment and property, injury and even death. Under no circumstances should you attempt to rig, suspend or mount these speakers unless you are fully qualified and certified to do so by relevant local, state and national authorities. If you are not properly qualified or do not know of pertinent regulations consult qualified personnel for advice. Consult a structural engineer before suspending a speaker system and ensure that the total weight of your system can be held by the truss or mounting surface.



Inspect all mounting hardware before your line array is flown. If there is any damage or distortion to any mounting hardware do not fly the array until any damaged hardware is repaired or replaced. Only use Wharfedale Pro supplied Quick release Pins, contact your Wharfedale Pro Distributor if any quick release pins are lost or damaged.

FEATURES

WLA-210XF

- Dual 10" Passive line array
- IPX6 Waterproof Certification
- Wax wrapped components
- Anti-corrosion stainless steel hardware
- Waterproof input connectors
- System Continuous Power LF: 800 W HF: 90 W
- System Programme Power LF: 1600 W HF: 180 W
- System Peak Power LF: 3200 W HF: 360 W
- Impedance 16 Ω
- 15 mm / 18 mm Plywood construction / 3.0 mm Aluminium

WLA-210XSUBF

- Dual 15" Passive subwoofer
- IPX6 Waterproof Certification
- Wax wrapped components
- Anti-corrosion stainless steel hardware
- Waterproof input connector
- System Continuous Power 1200 W
- System Programme Power 2400 W
- System Peak Power 4800 W
- Impedance 4 Ω
- 15 mm / 18 mm Plywood construction / 3.0 mm Aluminium

WLA-XF Common Fly Frame

- Stainless steel construction
- Anti-rust materials
- Fly up to 8 WLA-210XF elements plus a WLA-210XSUBF
- Safety factor of 10
- For flying.....or ground stacking

Other IPX6 rated products from Wharfedale Pro include.....

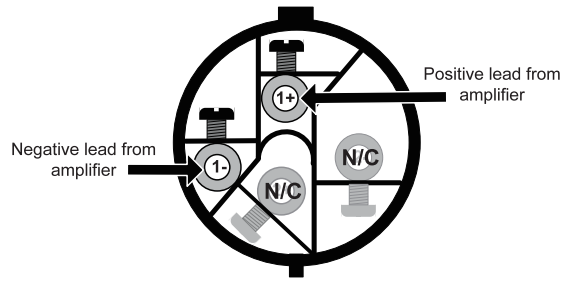
WLA-218BF - 2 x 18" subwoofer

WLA-15MF - 15" Floor monitor

Wharfedale Pro also manufacture a wide range of power amplifiers and signal processors.
For recommended accessories, amplifiers and system diagrams please visit www.wharfedalepro.com

CONNECTIONS

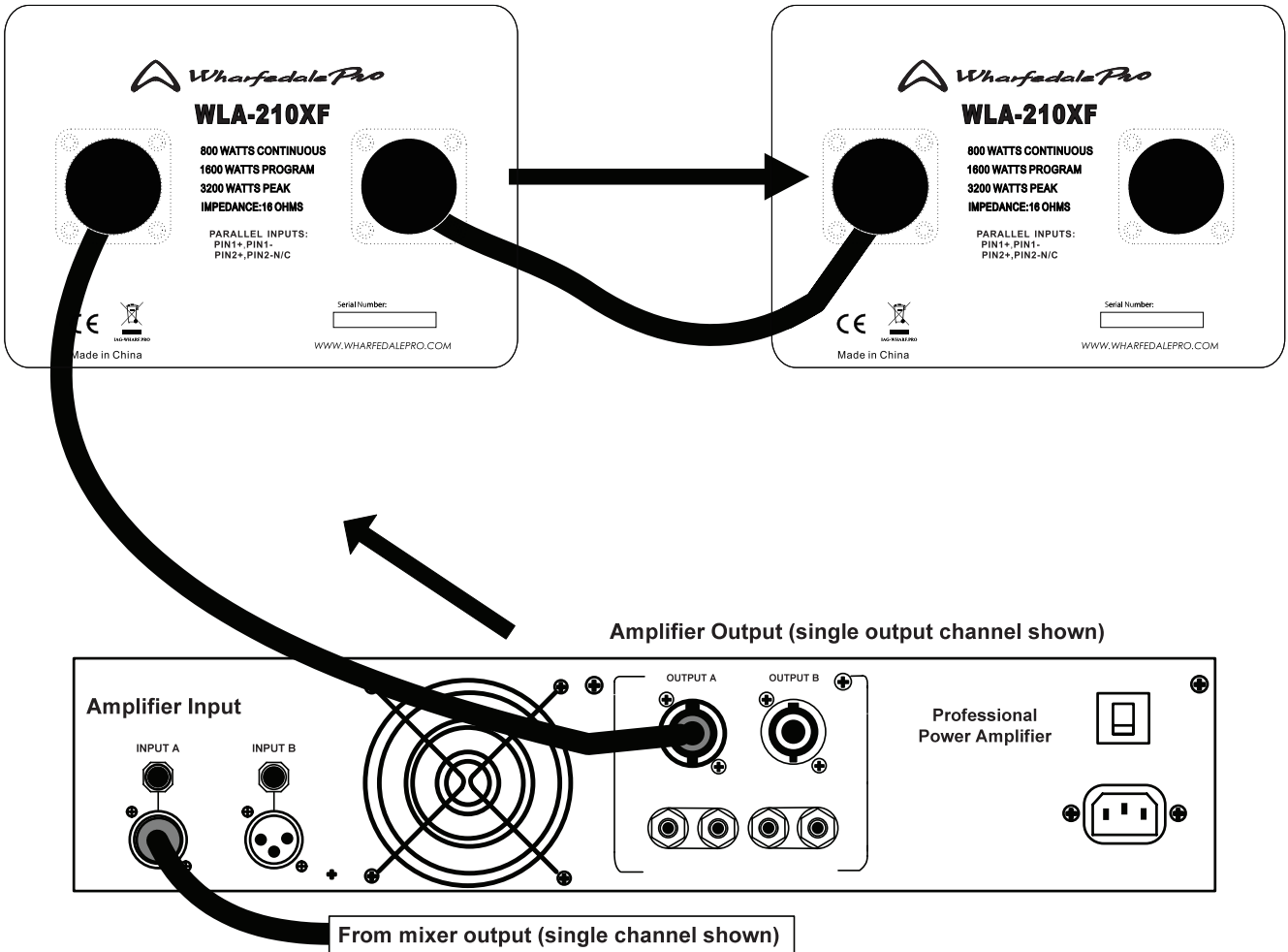
- PIN 1 LF Positive
- PIN 2 LF Negative
- PIN 3 Not connected
- PIN 4 Not connected



WLA-210XF PARALLEL WIRING

Enclosure#1

Enclosure#2

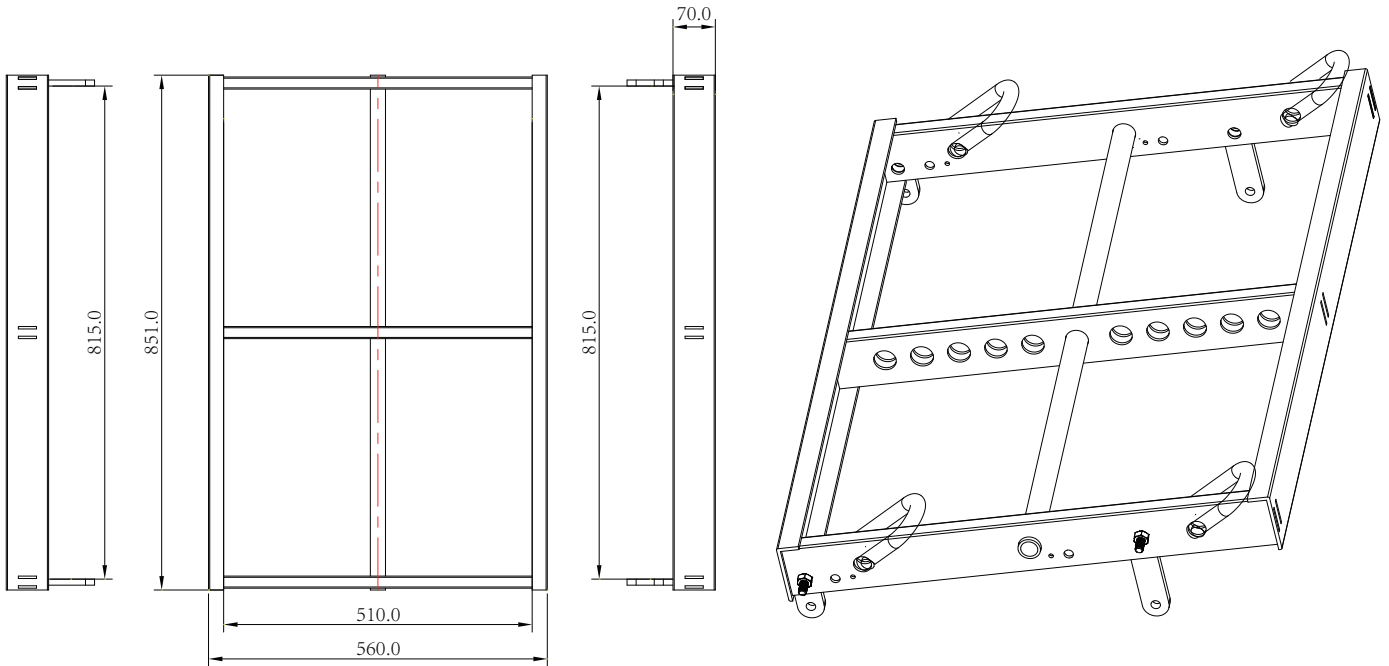


CONNECTIONS

The WLA-210XF Common Fly Frame is certified to hold a total weight (including third party hardware) of 450 kg.

Up to 8 x WLA-210XF and 1 x WLA-210XSUBF elements can be flown with a safety factor of 10. Only use the Wharfedale Pro WLA-210XF Common Fly Frame. Ensure that only rated, certified hardware such as turnbuckles, shackles and chains are used.

Ensure that all truss, structures and flying hardware are capable of suspending the entire array, plus flying hardware, to a suitable safety factor.

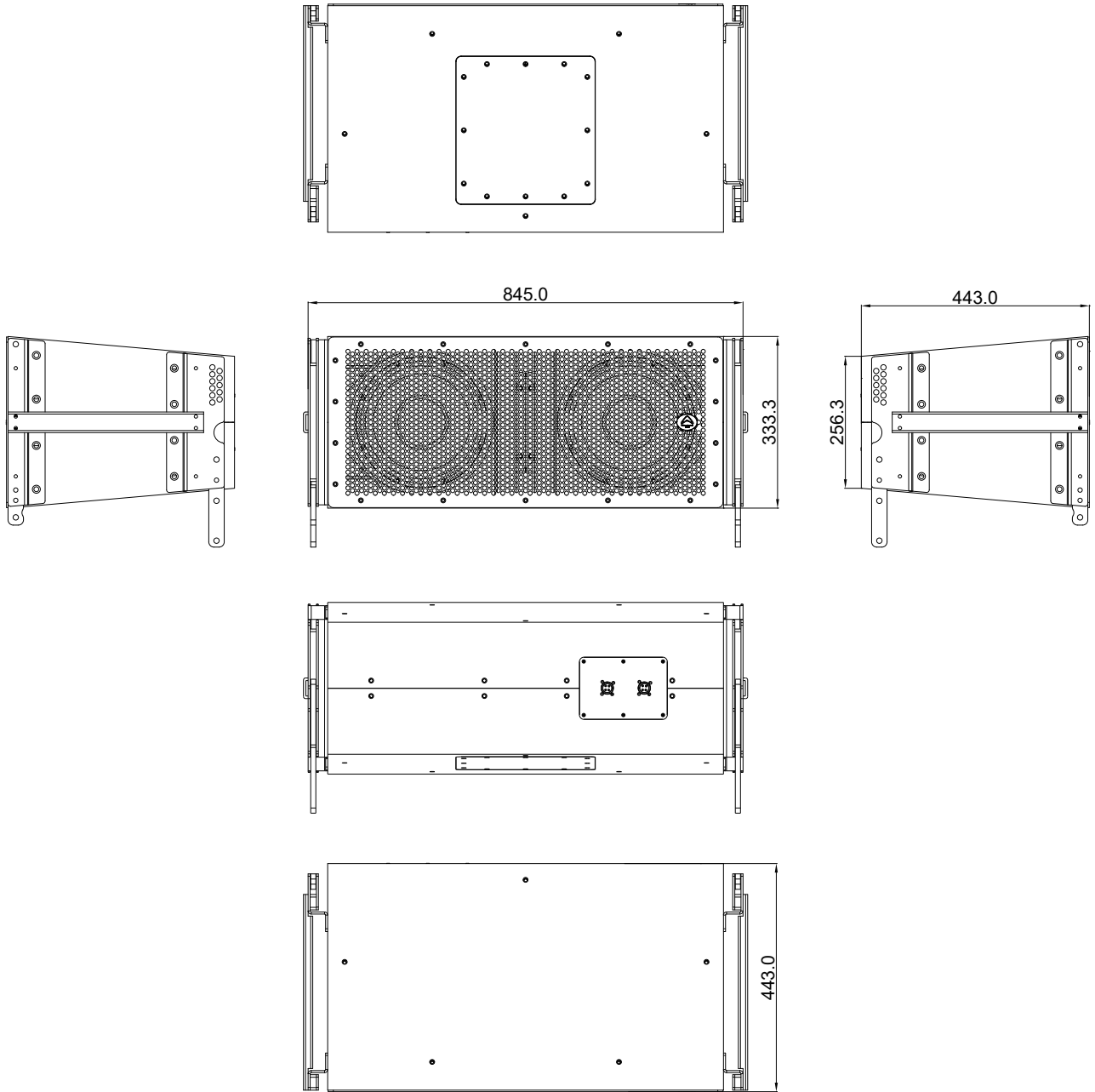


Rigging, suspending and mounting should only be attempted by experience qualified professionals. Incorrect usage can result in damage to equipment and property, injury and even death. Under no circumstances should you attempt to rig, suspend or mount these speakers unless you are fully qualified and certified to do so by relevant local, state and national authorities. If you are not properly qualified or do not know of pertinent regulations consult qualified personnel for advice. Consult a structural engineer before suspending a speaker system and ensure that the total weight of your system can be held by the truss or mounting surface.

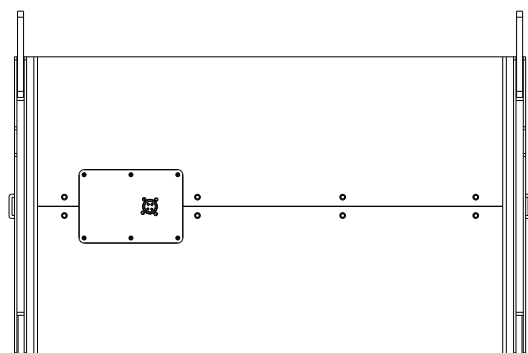
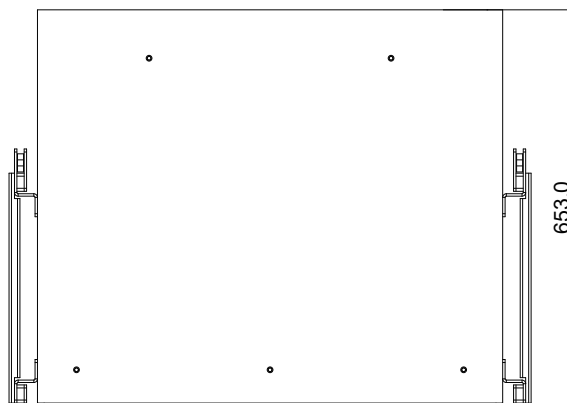
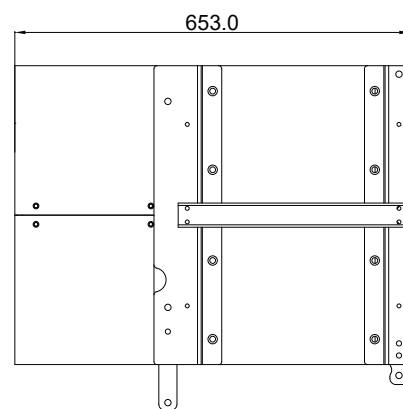
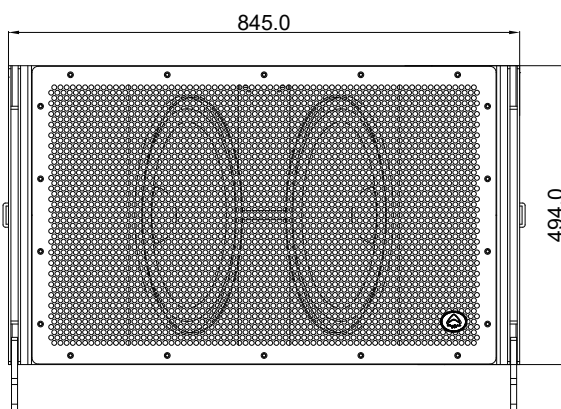
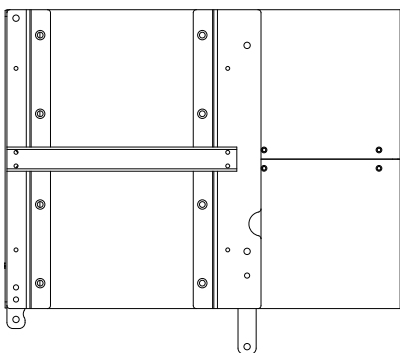
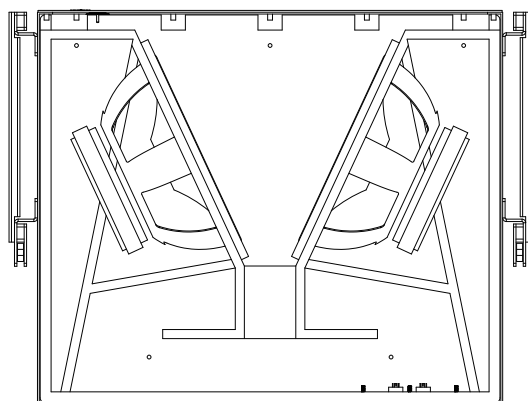


Inspect all mounting hardware before your line array is flown. If there is any damage or distortion to any mounting hardware do not fly the array until any damaged hardware is repaired or replaced. Only use Wharfedale Pro supplied Quick release Pins, contact your Wharfedale Pro Distributor if any quick release pins are lost or damaged.

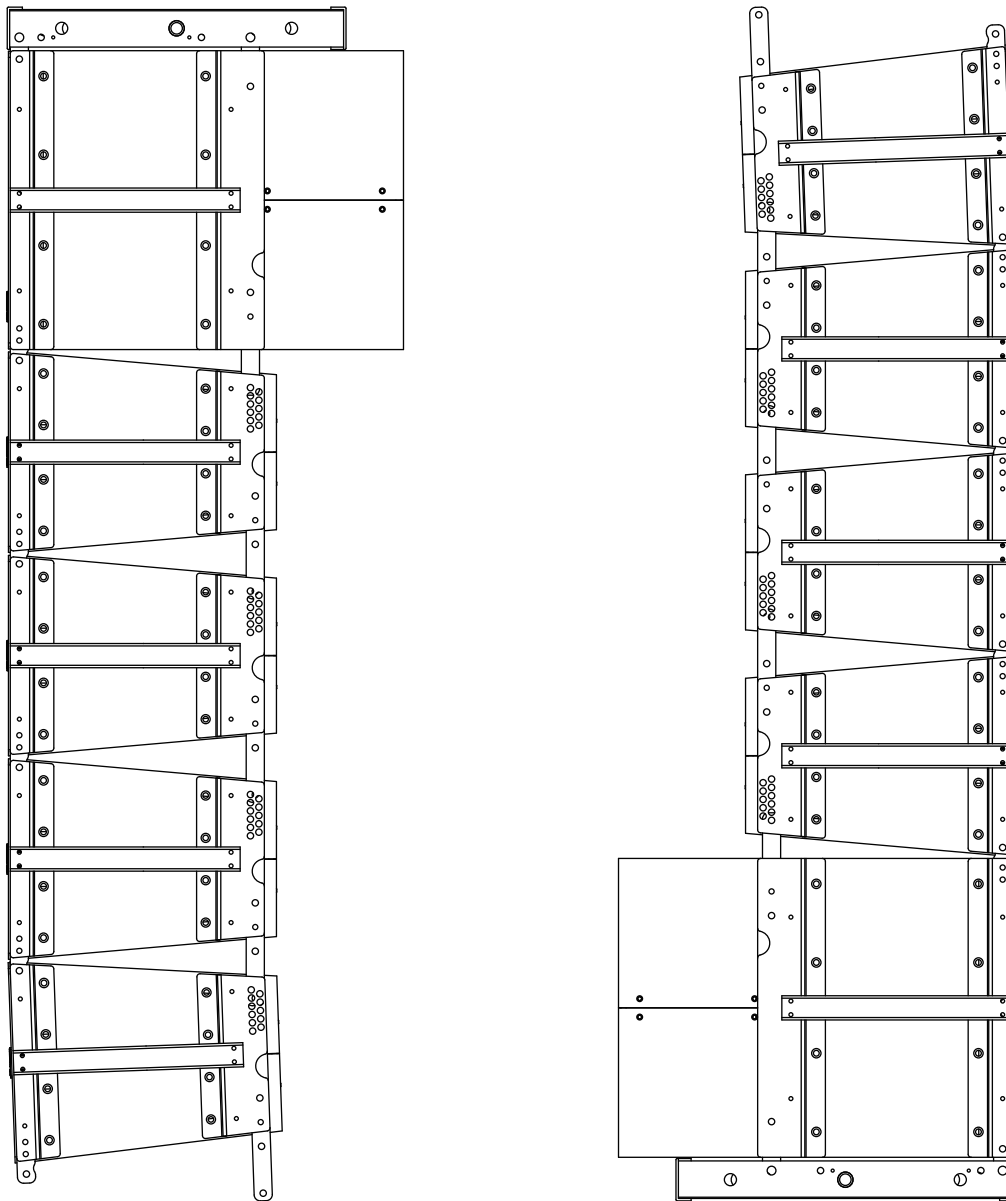
DIMENSIONAL DRAWINGS - WLA-210XF



DIMENSIONAL DRAWINGS - WLA-210XSUBF



EXAMPLE ARRAYS



OPTIMISED GROUND STACKING

WLA-210XF rigging doubles up as an optimised ground stacking system, using the WLA-210XSUBF subwoofer as a base. The array of WLA-210XF line array elements can be aimed downwards by as much as 10° to cover audience areas close to a stage, as well as upward by as much as 10° in order to better cover distant balcony seating areas.

SPECIFICATIONS

Model Name	WLA-210XF	WLA-210XSUBF
System Type	Passive IPX6 waterproof	Passive IPX6 waterproof
Configuration	Two-way 2 x 10"	2 x 15" subwoofer
Frequency Response (+/-3 dB)	65 Hz - 20 KHz	39 Hz - 900 Hz
Frequency Range (-10 dB)	60 Hz - 20 KHz	35 Hz - 1.5 KHz
Sensitivity (2.83 v / 1 m)	102 dB	108 dB
Calculated Maximum SPL @1 m	138 dB	145 dB
System Rated Impedance	16 Ω	4 Ω
Low Frequency Transducer		
Size	2 x 260 mm / 2 x 10"	2 x 381 mm / 15"
Voice Coil Size	65 mm / 2.5"	100 mm / 4.0"
Rated Impedance	2 x 8 Ω	2 x 8 Ω
LF Power (re:AES2-2012)	2 x 400 W	2 x 600 W
High Frequency Transducer		
HF Driver Type	Compression Driver - Neo	-
Voice Coil Size	75 mm / 3.0"	-
Exit Size	35.6 mm / 1.4"	-
Diaphragm Material	Titanium	-
Rated Impedance	8 Ω	-
HF Power (re:AES2-2012)	90 W	-
Nominal Coverage (H x V)	100° x 10°	-
Power		
System Continuous Power	LF:800 W HF:90 W	1200 W
System Programme Power	LF:1600 W HF:180 W	2400 W
System Peak Power	LF:3200 W HF:360 W	4800 W
Crossover frequency	1.5 KHz	No
Operational Modes:	No	No
Input Connector	2 x WY-24K4Z (waterproof)	1 x WY-24K4Z (waterproof)
Hardware	Integral side plate adjustable rigging 0°-10°	Integral, non adjustable
Enclosure Material	15 mm,18 mm Plywood 3.0 mm Aluminium	15 mm,18 mm Plywood 3.0 mm Aluminium
Finish	Waterproof Black Paint	Waterproof Black Paint
Grille Material & Finish	3.0 mm Black Aluminium	3.0 mm Black Aluminium
Dimensions - (Unpacked)		
Height Front / Height Rear	333.3 mm / 13.1" 256.3 mm / 10.0"	494 mm / 19.4"
Width Front	845 mm / 33.3"	845 mm / 33.3"
Width Rear	845 mm / 33.3"	845 mm / 33.3"
Depth	443 mm / 17.4"	653 mm / 25.7"
Dimensions - (Packed)		
Height	953 mm / 37.5"	933 mm / 36.7"
Width Front	424 mm / 16.7"	723 mm / 28.5"
Width Rear	424 mm / 16.7"	723 mm / 28.5"
Depth	513 mm / 20.2"	584 mm / 23.0"
Weight		
Net Weight (kg / lbs)	46.0 kg / 101.2 lbs	81.0 kg / 178.2 lbs
Gross Weight (kg / lbs)	50.0 kg / 110.0 lbs	86.4 kg / 190.1 lbs

WHARFEDALE PRO LIMITED WARRANTY

Wharfedale Pro products are warranted of manufacturing or material defects for a period of three years from the original date of purchase. In the event of malfunction, contact your authorised Wharfedale Pro dealer or distributor for information.

Please be aware that the warranty details may differ from country to country. Contact your dealer or distributor for information (available at www.wharfedalepro.com). These terms do not infringe your statutory rights.



Wharfedale Professional

IAG House 13/14 Glebe Road Huntingdon Cambridgeshire PE29 7DL UK

www.wharfedalepro.com

Wharfedale Professional reserves the right to alter or improve specifications without notice.

All rights reserved © 2023 Wharfedale Pro. Wharfedale Pro is a member of the IAG Group.