

WLA-218BX

Dual 18" Subwoofer

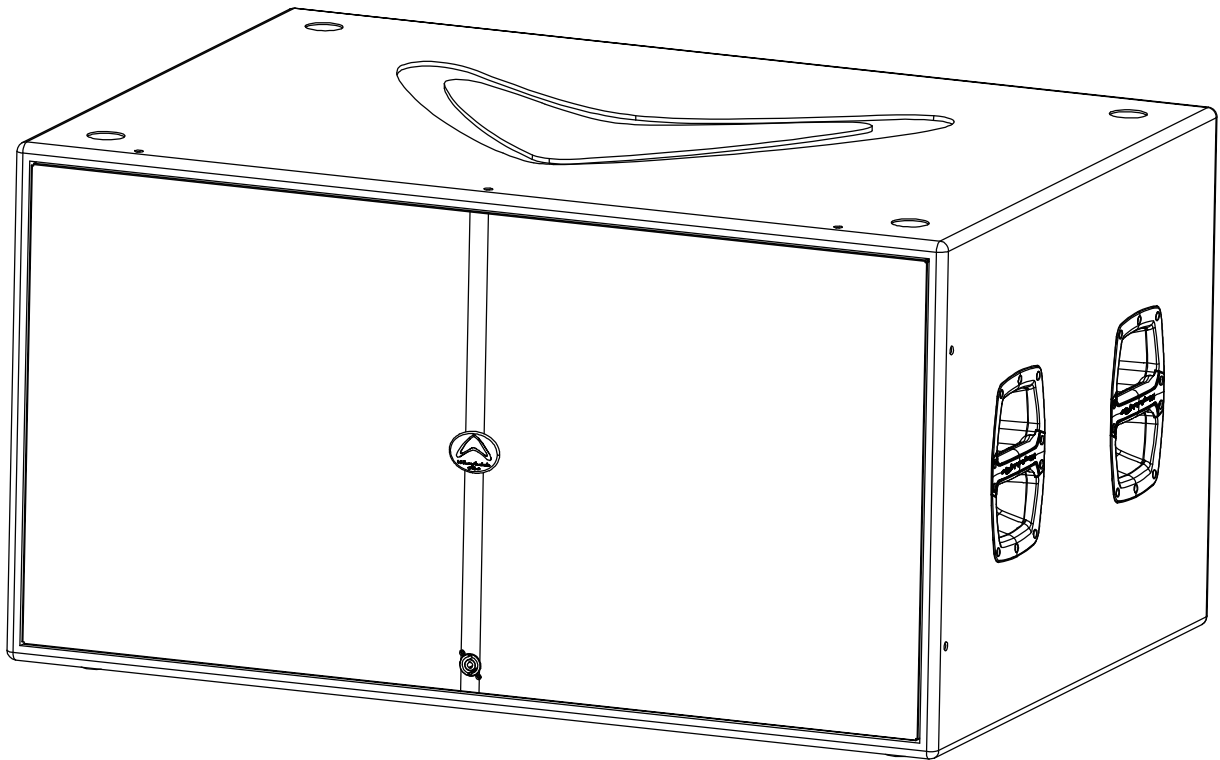


TABLE OF CONTENTS

WARNINGS	1
PRODUCT FEATURES	2
CONNECTIONS	3
DIMENSIONAL DRAWINGS.....	4
SPECIFICATIONS	5

IMPORTANT WARNINGS & SAFETY INSTRUCTIONS

- Read these instructions
- Follow these instructions
- Keep these instructions for future reference
- Heed all warnings
- Do not use this system near moisture or water
- Clean only with a dry cloth
- Install in accordance with these Wharfedale Pro operating instructions
- Follow the manufacturer's operating instructions for all peripheral devices such as amplifiers and processors
- Do not install near heat sources such as radiators, heat registers, stoves or any other apparatus that produces heat (for example lighting systems and amplifiers)
- Use only accessories specified or supplied by Wharfedale Pro
- Do not use shielded microphone/instrument cables to connect amplifiers and speakers, use only approved speaker cables with proper connectors
- Use caution with placement and operation of this speaker system, permanent hearing damage can be caused by prolonged exposure to excessive sound pressure levels
- Refer all servicing to qualified professionals. Servicing is required when the loudspeaker has been damaged in any way, such as impact damage, liquid ingress or foreign object damage. In addition, the loudspeaker should be referred to qualified service personnel if there is any kind of malfunction.



- Rigging, suspending and mounting should only be attempted by experience qualified professionals. Incorrect usage can result in damage to equipment and property, injury and even death. Under no circumstances should you attempt to rig, suspend or mount these speakers unless you are fully qualified and certified to do so by relevant local, state and national authorities. If you are not properly qualified or do not know of pertinent regulations consult qualified personnel for advice. Consult a structural engineer before suspending a speaker system and ensure that the total weight of your system can be held by the truss or mounting surface.



- Inspect all mounting hardware before rigging, suspending or mounting. If there is any damage or distortion to any mounting hardware do not proceed until any damaged hardware is repaired or replaced.

UNPACKING

- All Wharfedale Pro products are fully checked before leaving our factory. After unpacking please inspect the cabinets for any physical damage Please retain the shipping carton if possible and internal packing material incase the unit ever needs to be returned. Please check as soon as possible that the unit is functioning. In the event of any damage please contact your dealer immediately so that a written claim for damage can be made.

PRODUCT FEATURES

Low frequencies usually go everywhere. A lot of output energy can end up in places where the audience do not benefit from it. Having great low frequencies behind the stage is a waste of power and energy.

It's for this reason the new WLA-218BX can be easily deployed in an Inverted Stack Gradient Array (iSGA) configuration.

A front grille speakON compatible connector means that the Gradient Array can easily be built with other subwoofers. Working together, the phase will combine resulting in more directional low-end frequencies which focus on the audience, rather than backstage.

WLA-218BX uses the acclaimed Reason-X 18" subwoofer drivers. With 4.0" voice coils and an impedance boost around 35 Hz, these efficient drivers simply deliver extreme bass.

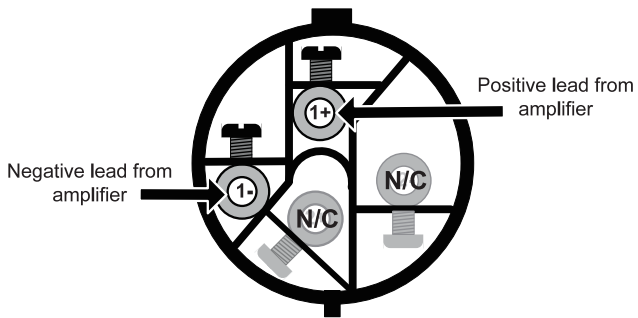
And, when used in the iSGA configuration, they deliver that bass directly into the face of the audience.

WLA-218BX - There's no going back!

Features

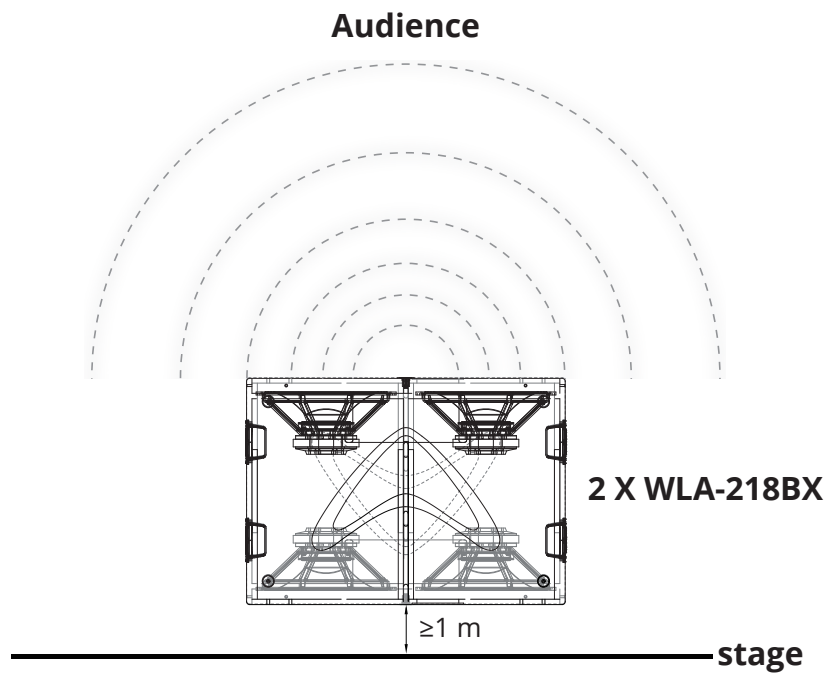
- Front speakON for Inverted Stack Gradient Array configuration
- 4.0" voice coils using acclaimed Reason-X LF drivers
- 2000 watts AES (RMS)
- 4000 watts Programme
- 8000 watts Peak
- 18 mm Plywood construction
- A powerful sub with cardioid functionality

CONNECTIONS



- | | |
|--------|---------------|
| PIN 1+ | LF Positive |
| PIN 1- | LF Negative |
| PIN 2+ | Not connected |
| PIN 2- | Not connected |

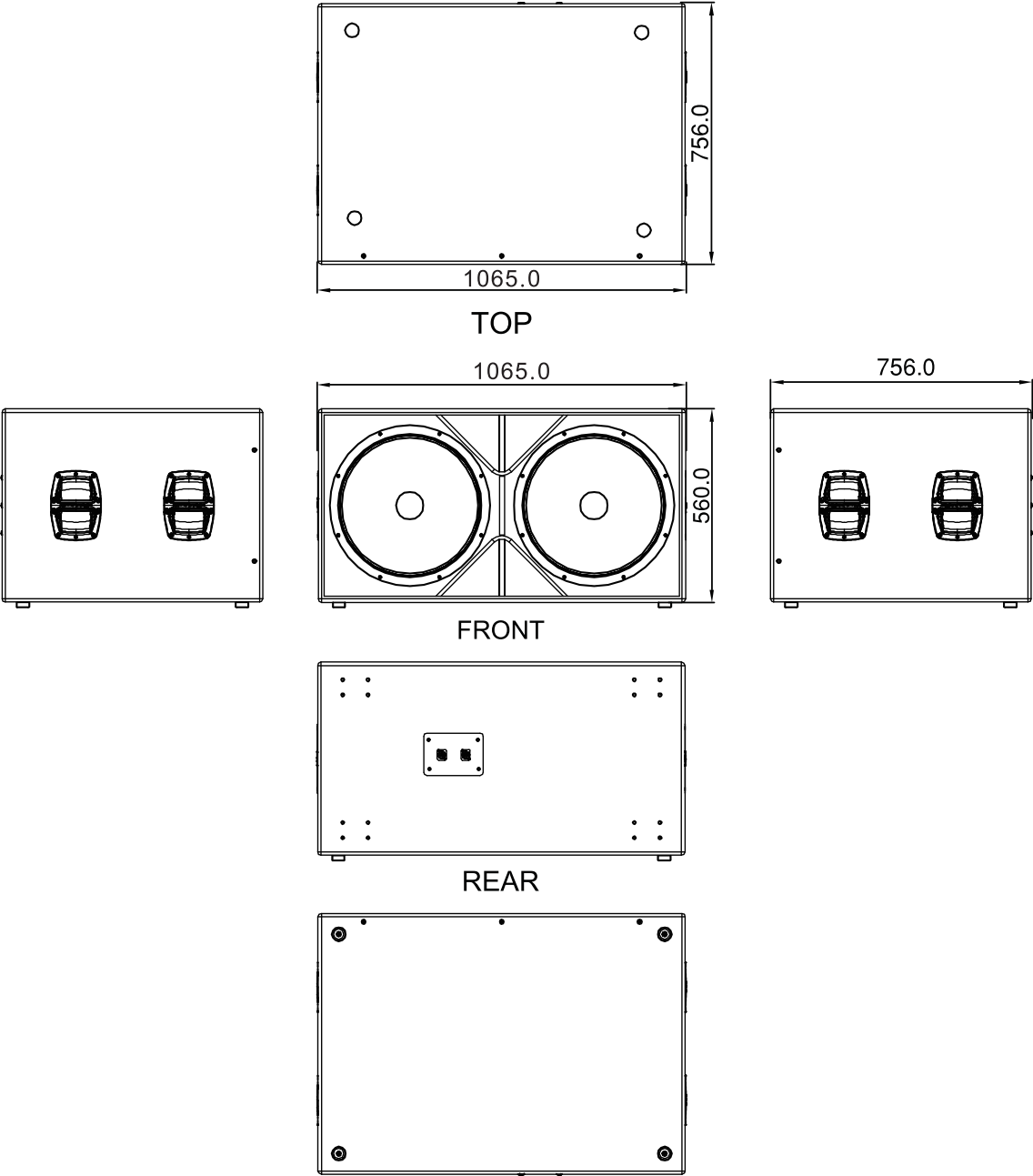
Inverted Stack Gradient Array



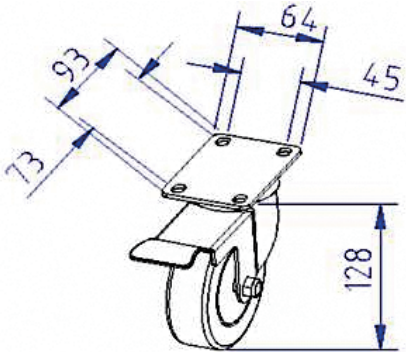
iSGA configuration
Low freq focus

A minimum distance of 1 m or more is mandatory from any surface (e.g. Stage, Wall)

DIMENSIONAL DRAWINGS



Optional casters are available from your Wharfedale Pro distributor or from 3rd parties online. The measurements are 100 mm / 4" swivel caster.



SPECIFICATIONS

Model Name	WLA-218BX
System Type	Passive
Configuration	Dual 18" Subwoofer
Frequency Response (+/-3 dB)	30-800 Hz
Frequency Range (-10 dB)	25-800 Hz
Sensitivity 2.83 V / 1 Meter	109 dB
Calculated Maximum SPL @1 Meter	148 dB
System Rated Impedance	4 Ω
Low Frequency Transducer	
Size	2 x 470 mm / 18"
Voice Coil Size	102 mm / 4.0"
LF Magnet Material	Ferrite
LF Frame Material	Aluminium
Rated Impedance	2 x 8 Ω
LF Power re:AES2-2012	2 x 1000 W
Nominal Impedance	4 Ω
Power	
System AES (RMS) Power	2000 watts
System Programme Power	4000 watts
System Peak Power	8000 watts
Crossover Frequency	
Input Connectors	3 x speakON NL4 (speakON compatible) (2 rear, 1 front)
Rigging	No
Pole Mount	No
Handles	4 on Sides
Enclosure	
Cabinet Type	Rectangle
Enclosure Material and finish	18 mm plywood
Colour Options	black paint
Grille Material & Finish	steel
Dimensions - Unpacked (mm / inches):	
Height	560 mm / 22.0"
Width Front	1065 mm / 41.9"
Width Rear	1065 mm / 41.9"
Depth	756 mm / 29.8"
Dimensions - Packed (mm / inches):	
Height	638 mm / 25.1"
Width Front	1138 mm / 44.8"
Width Rear	1138 mm / 44.8"
Depth	829 mm / 32.6"
Weight	
Net Weight	75.0 kg / 165 lbs
Gross Weight	87.7 kg / 192.9 lbs

WHARFEDALE PRO LIMITED WARRANTY

Wharfedale Pro products are warranted of manufacturing or material defects for a period of three years from the original date of purchase. In the event of malfunction, contact your authorised Wharfedale Pro dealer or distributor for information.

Please be aware that the warranty details may differ from country to country. Contact your dealer or distributor for information (available at www.wharfedalepro.com). These terms do not infringe your statutory rights.



WHARFEDALE PROFESSIONAL

IAG House, 13/14 Glebe Road, Huntingdon, Cambridgeshire, PE29 7DL, UK
www.wharfedalepro.com

Wharfedale Professional reserves the right to alter or improve specifications without notice.
All rights reserved © 2023 Wharfedale Pro. Wharfedale Pro is a member of the IAG Group.