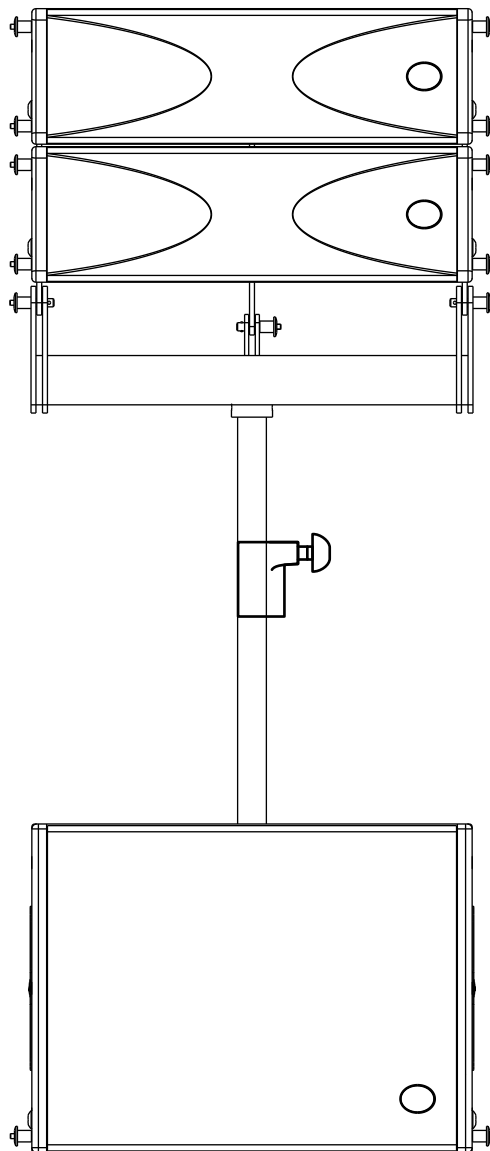


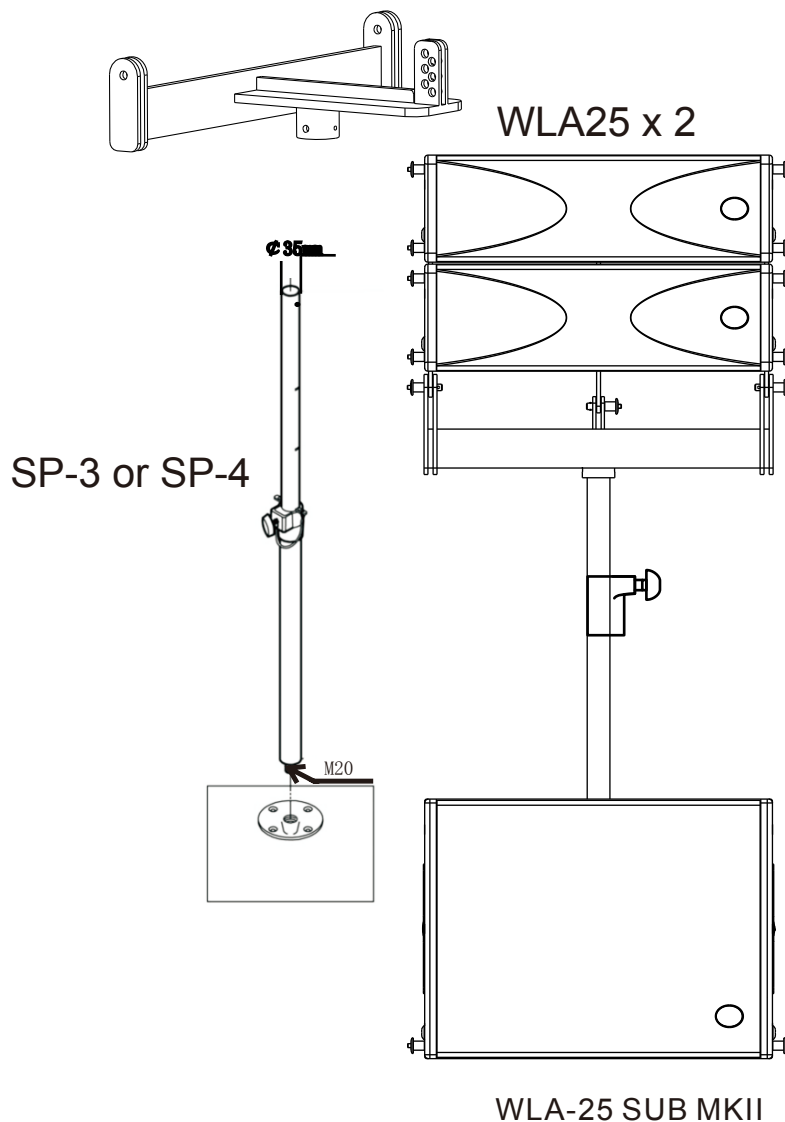
# WLA-25 Stand Frame

The WLA-25 Stand Frame allows for 2 units of WLA-25 to be stacked, via SP-3 or SP-4 pole, to a WLA-25SUB MKII Subwoofer.

An SP-3 or SP-4 makes raising and lowering the rig simple and, most importantly, safe.



# WLA 25 Stand Frame



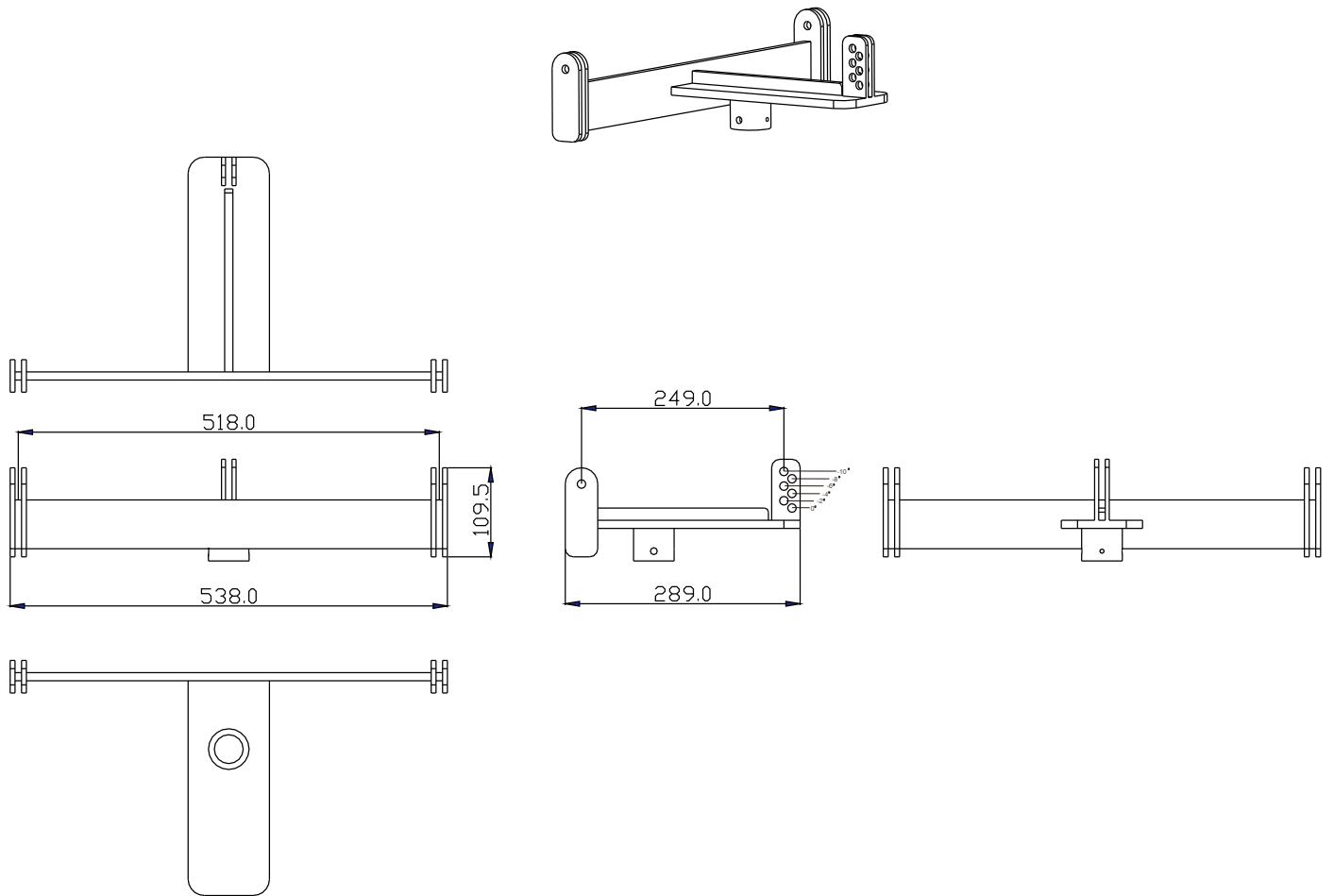
Rigging, suspending and mounting should only be attempted by experience qualified professionals. Incorrect usage can result in damage to equipment and property, injury and even death. Under no circumstances should you attempt to rig, suspend or mount these speakers unless you are fully qualified and certified to do so by relevant local, state and national authorities. If you are not properly qualified or do not know of pertinent regulations consult qualified personnel for advice. Consult a structural engineer before suspending a speaker system and ensure that the total weight of your system can be held by the truss or mounting surface.

Inspect all mounting hardware before your line array is flown. If there is any damage or distortion to any mounting hardware do not fly the array until any damaged hardware is repaired or replaced. Only use Wharfedale Pro supplied Quick release Pins, contact your Wharfedale Pro Distributor if any quick release pins are lost or damaged.

# SPECIFICATION

Model Name	WLA-25SUB MKII	WLA-25 STAND FRAME	SP-3	SP-4
System Type	Passive			
Configuration	Subwoofer			
Frequency Response (+/-3dB)	56-1.5kHz			
Frequency Range (- 10 dB)	56-2.0kHz			
Sensitivity 2.83v/1m	107dB			
Calculated Maximum SPL @1m	141dB			
System Rated Impedance	4Ω			
Low Frequency Transducer				
LF Size (mm / inches)	254mm / 10"			
LF Voice-Coil Size (mm / inches)	65.5mm / 2.5"			
LF Magnet Material	ferrite			
LF Frame Material	aluminium			
Rated Impedance	8Ω			
LF Power re:AES2-2012	2X350W			
<b>High Frequency Transducer</b>				
HF Driver Type:				
Coil Size (mm / inches)				
Exit Size (mm / inches)				
HF Magnet Material				
Diaphragm Material				
Rated Impedance				
HF Power re:AES2-2012				
Waveguide Type				
Nominal Coverage (H x V)				
<b>Power</b>				
System Continuous Power (w)	700W			
System Programme Power (w)	1400W			
System Peak Power (w)	2800W			
Crossover frequency				
Input Connector	2xSpeakon			
Rigging	Integral, non-adjustable			
pole mount	M20 threaded			
handles	yes			
<b>Enclosure</b>				
cabinet type	square			
Enclosure Material and finish	15mm,18mm plywood			
Colour Options	black or white paint			
Grille Material & Finish	steel			
<b>Dimensions - Unpacked (mm / inches):</b>				
Height	536mm/21.1"	125mm/4.9"	800-1340mm	800-1100mm
Width	400mm/15.7"	538mm/21.2"		
Depth	550mm/21.7"	289mm/11.4"		
<b>Dimensions - Packed (mm / inches):</b>				
Height	610mm/24.0"		850x100x90mm	780x175x90mm
Width	470mm/18.5"			
Depth	596mm/23.5"			
Weight				
Net Weight (kg / lbs)	37kg/81.4lbs	5.68kg/12.5lbs	2.07kg	2.89kg
Gross Weight (kg / lbs)	39.5kg/86.9lbs	6.7kg/14.3lbs	2.37kg	3.29kg

# DIMENSIONS



Wharfedale Professional  
IAG House 13/14 Glebe Road Huntingdon Cambridgeshire PE29 7DL UK  
[www.wharfedalepro.com](http://www.wharfedalepro.com)

Wharfedale Professional reserves the right to alter or improve specifications without notice.  
All rights reserved © 2018 Wharfedale Pro. Wharfedale Pro is a member of the IAG Group.