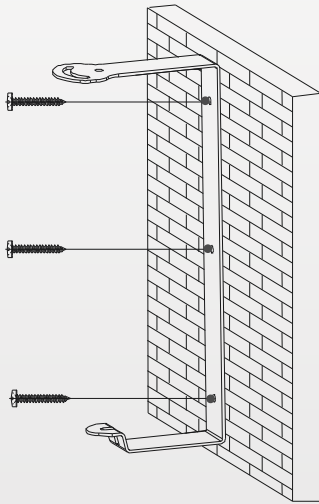




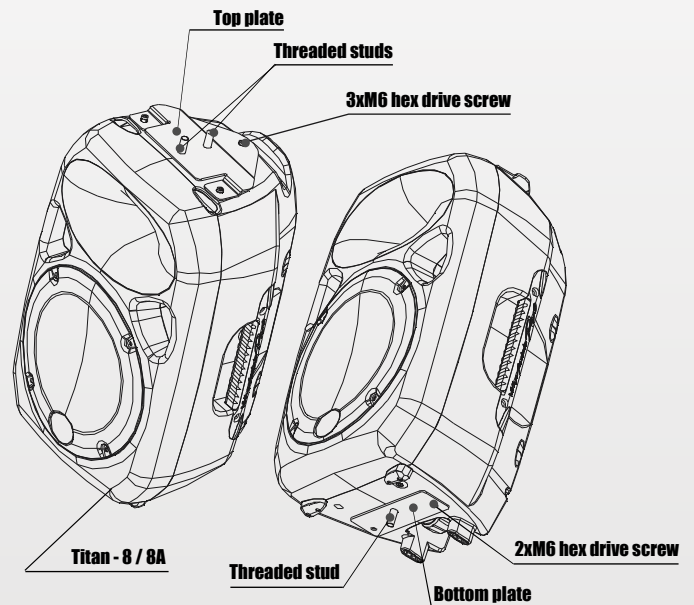
Titan 8 WPB-T8 WALL BRACKET

Installation Instructions

- 1** Attach the bracket to wall

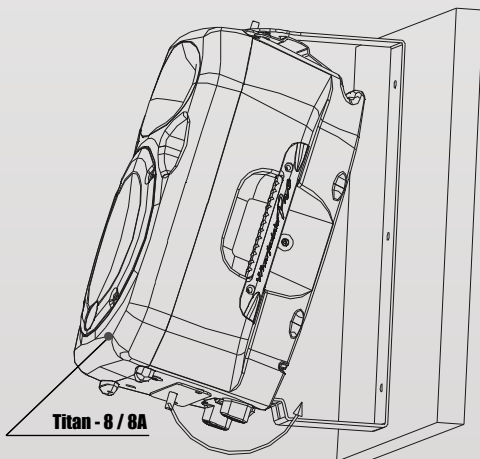


- 2** Attach the top & bottom plates to the speaker using the provided M6 hex drive screws.

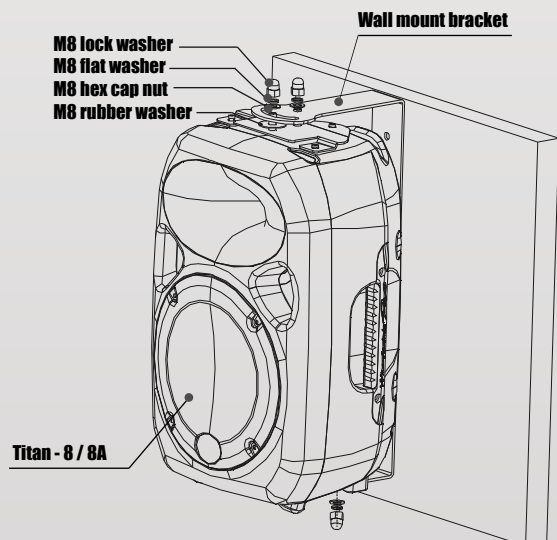


- 3** Angle the speaker in from the side and insert the threaded studs on the top plate into the hole and slot in the top part of the bracket.

- 4** Straighten the angle of the speaker and position the threaded stud on the bottom of the speaker to line up with the slot in the bottom of the bracket. Pull the bottom of the speaker forward so the threaded stud is pulled into the slot. Attach the gasket and nuts.



- 5** Adjust the speaker to the desired angle and tighten the nuts to set the position.



Net Weight: 1.29kg / 2.84 lbs
Gross Weight: 1.69kg / 3.70 lbs

Wharfedale Professional
IAG HOUSE Sovereign Court, Ermine Business Park Huntingdon, Cambs, PE29 6XU, England

www.wharfedalepro.com

Wharfedale Professional reserves the right to alter or improve specifications without notice
All rights reserved © 2008 Wharfedale Pro. Wharfedale Pro is a member of the International Audio Group (IAG).