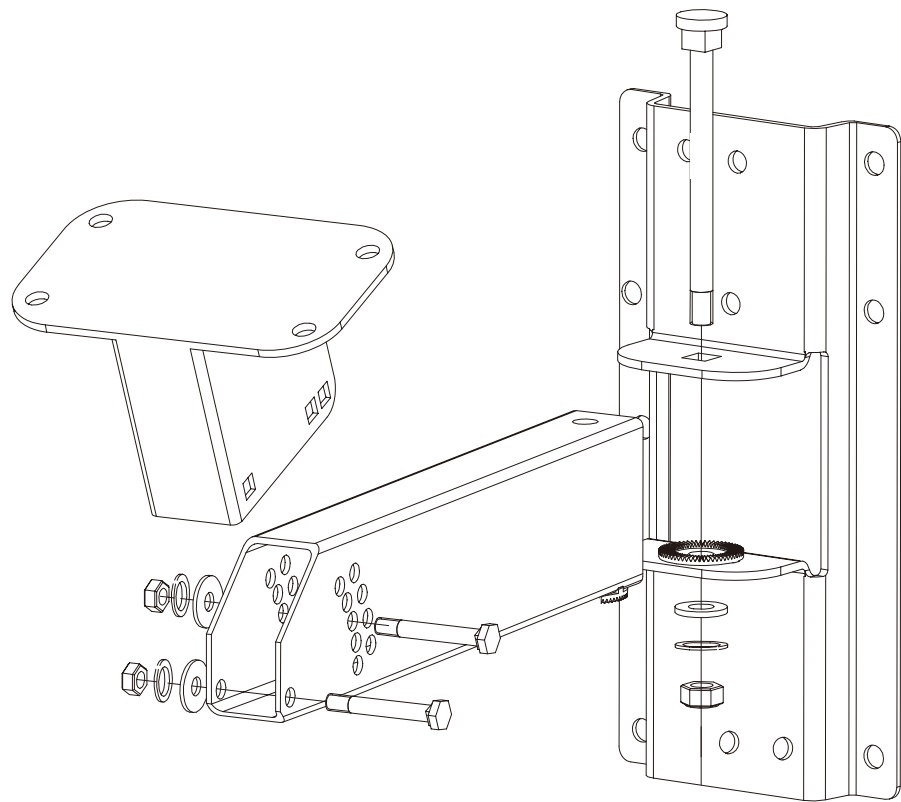




PROFESSIONAL SOUND SYSTEMS >>>

WPB

USER MANUAL



Wharfedale
Pro

www.wharfedalepro.com







TABLE OF CONTENTS

| | |
|--------|--|
| 1..... | INTRODUCTION |
| 2..... | INSTALLATION AND WHARFEDALE PRO LIMITED WARRANTY |
| 3..... | WPB-1 PARTS AND SPECIFICATIONS / WPB-1 ASSEMBLY |
| 4..... | WPB-2 PARTS AND SPECIFICATIONS / WPB-2 ASSEMBLY |
| 5..... | WPB-3 PARTS AND SPECIFICATIONS / WPB-3 ASSEMBLY |
| 6..... | WPB-4 PARTS AND SPECIFICATIONS / WPB-4 ASSEMBLY |
| 7..... | WPB-5 PARTS AND SPECIFICATIONS / WPB-5 ASSEMBLY |



INTRODUCTION

Thank you for purchasing a Wharfedale Pro WPB Series Wall Mount Accessory.

The WPB brackets are heavy-duty wall mounting bracket systems that will provide secure and versatile mounting for a variety of Wharfedale Pro speaker models including the Titan™, Programme-X and SI-X Series. In addition speakers from 3rd party manufacturers that have compatible standardized footprints can also be mounted using the WPB Series.

The WPB Series were designed to cater for the comprehensive positioning requirements needed for proper speaker placement in permanent loudspeaker installations. All steel construction assures accurate, secure adjustments and reliability over time.

There are ten wall mounting points available on the wall plate. These mounting points allow for a multitude of mounting options on the widest range of wall types. Be sure to use proper devices to secure the bracket and consider the wall construction and materials. Also take into consideration the weight of the speaker and bracket when determining which method will provide the best option for safety, strength and durability.

WARNING

Rigging, suspending and mounting of speaker systems can expose members of the public to serious health risks and even death. UNDER NO CIRCUMSTANCES ATTEMPT TO RIG, SUSPEND OR OTHERWISE MOUNT SOUND REINFORCEMENT PRODUCTS UNLESS YOU ARE FULLY QUALIFIED AND CERTIFIED TO DO SO BY RELEVANT LOCAL, STATE AND NATIONAL AUTHORITIES. ALL RELEVANT SAFETY REGULATIONS MUST BE FOLLOWED. IF YOU ARE NOT PROPERLY QUALIFIED OR DO NOT KNOW OF PERTINENT REGULATIONS, CONSULT QUALIFIED PERSONNEL FOR ADVICE.

CAUTION – Professional sound reinforcement systems are capable of generating very high sound pressure levels. Take care with placement and operation to avoid exposure to excessive volume levels.



INSTALLATION

Multiple mounting points are available on the wall plate for strong and secure mounting. Once a suitable location is found for the mounting of the bracket safely secure the wall plate to the wall, ensuring that it is level and mounted properly. Ensure that there is adequate support for the weight of the speaker and bracket. Consider the construction and materials used in the wall, and be sure to center the mounting points squarely in wall studs or supports with adequate screw lengths.

Once the wall plate is securely mounted the arm mechanism should be attached using the provided nut and bolt.

The tilt mechanism includes a mounting plate for attaching to the bottom of the speaker. The tilt mechanism can be mounted directly on the arm with the provided hardware. Alternatively the tilt mechanism can be mounted to the bottom of the speaker prior to attaching it to the arm. Adjust the tilt to the desired angle and secure with the provided nuts and bolts, ensure that all nuts and bolts are tightened sufficiently to hold the desired speaker in position.

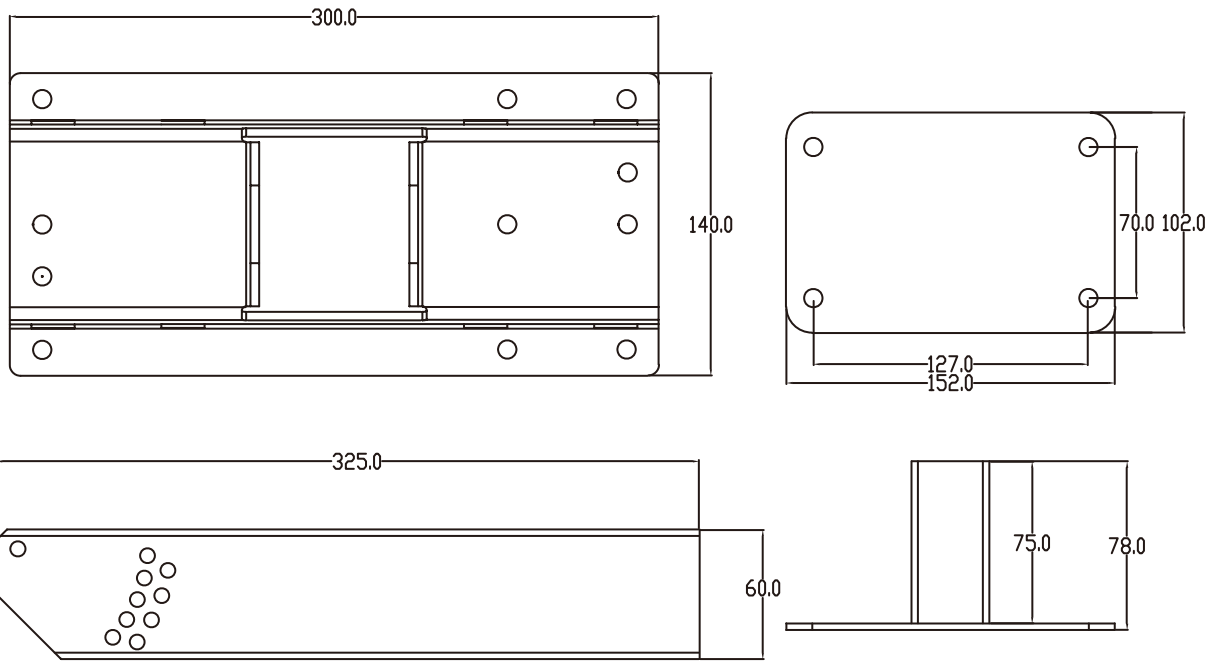
WHARFEDALE PRO LIMITED WARRANTY

Wharfedale Pro products are warranted of manufacturing or material defects for a period of three years from the original date of purchase. In the event of malfunction, contact your authorised Wharfedale Pro dealer or distributor for information.

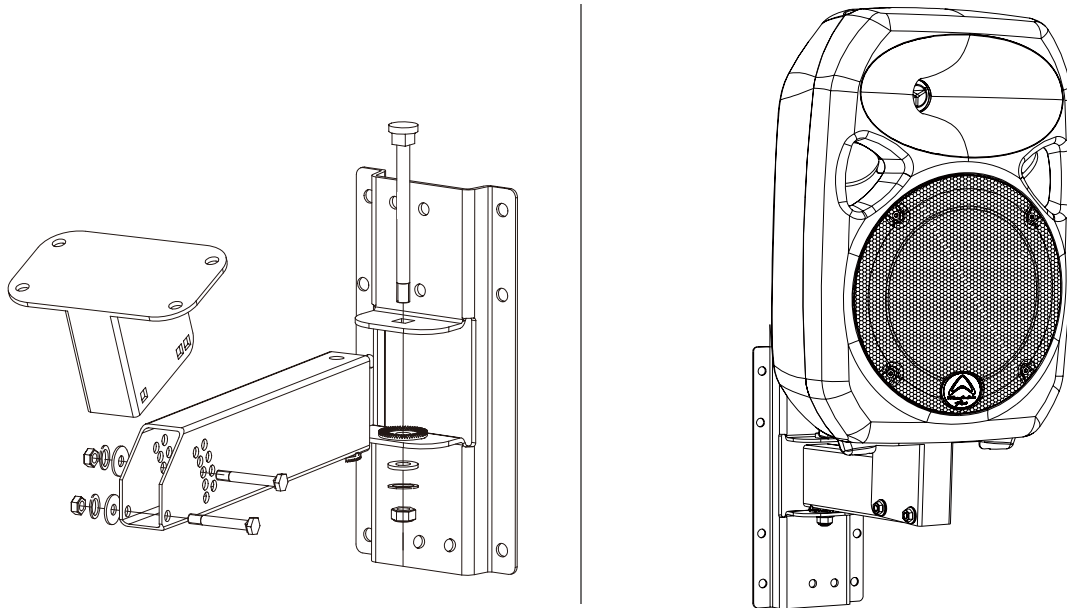
Please be aware that the warranty details may differ from country to country. Contact your dealer or distributor for information (available at www.wharfedalepro.com). These terms do not infringe your statutory rights.



WPB-1 PARTS AND SPECIFICATIONS

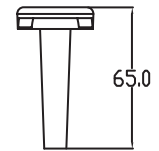
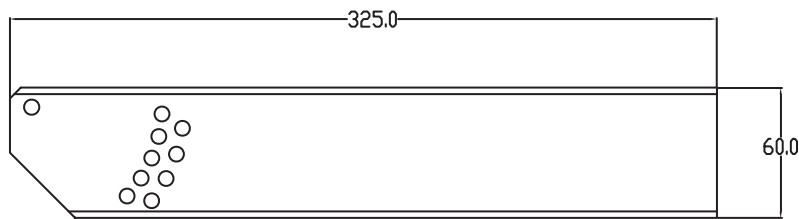
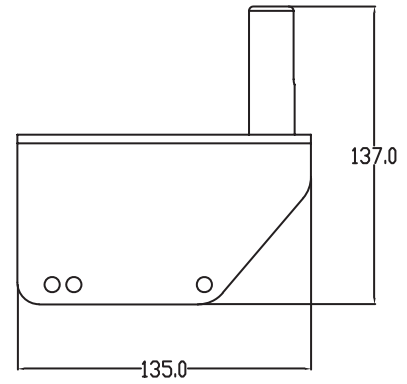
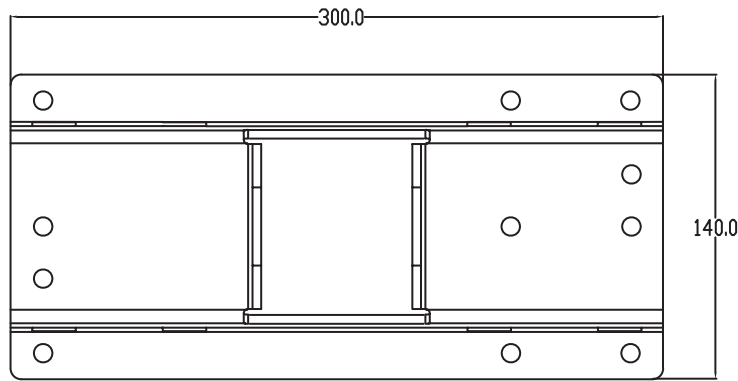


WPB-1 ASSEMBLY

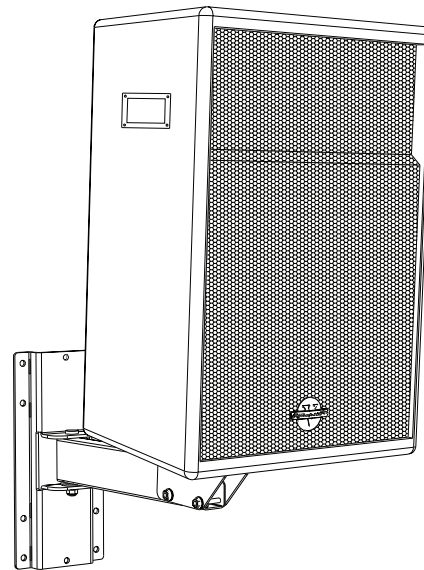
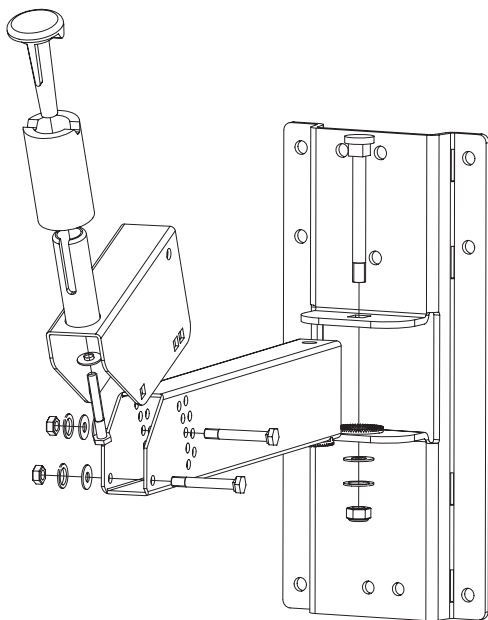




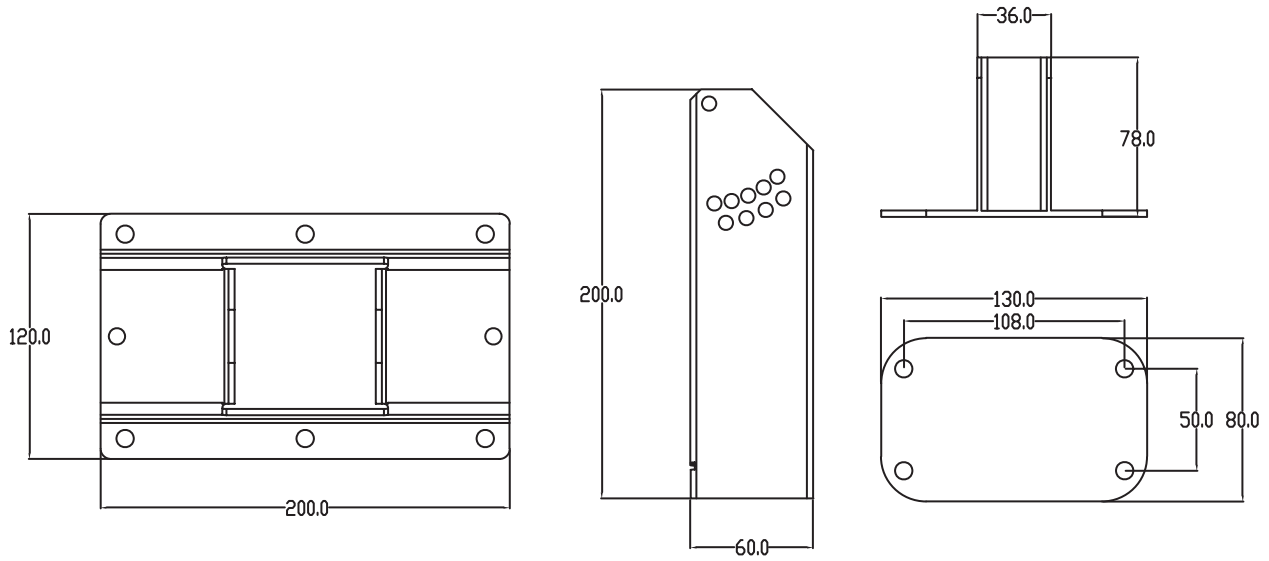
WPB-2 PARTS AND SPECIFICATIONS



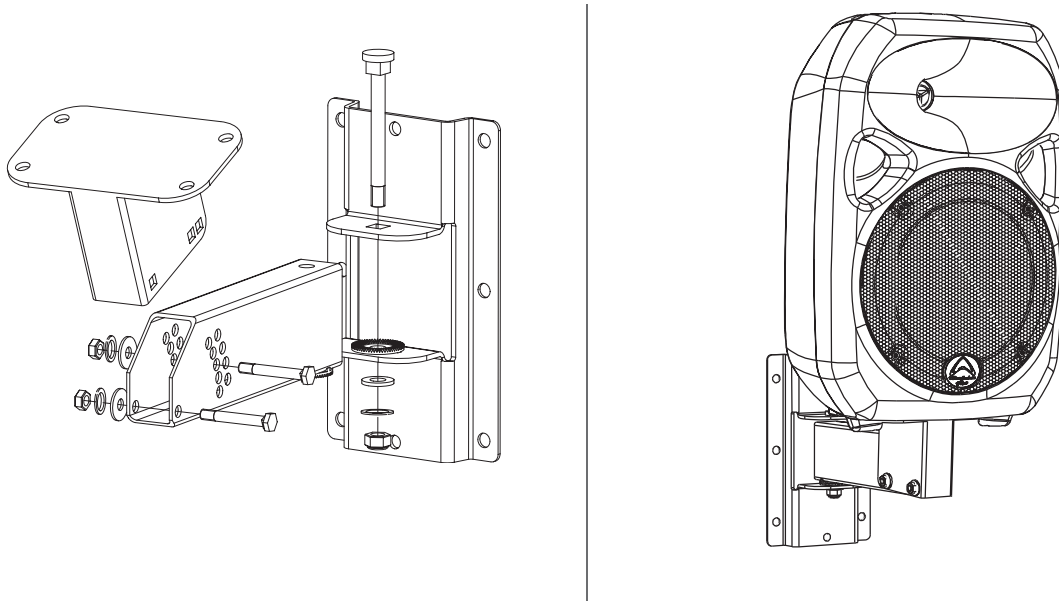
WPB-2 ASSEMBLY



WPB-3 PARTS AND SPECIFICATIONS

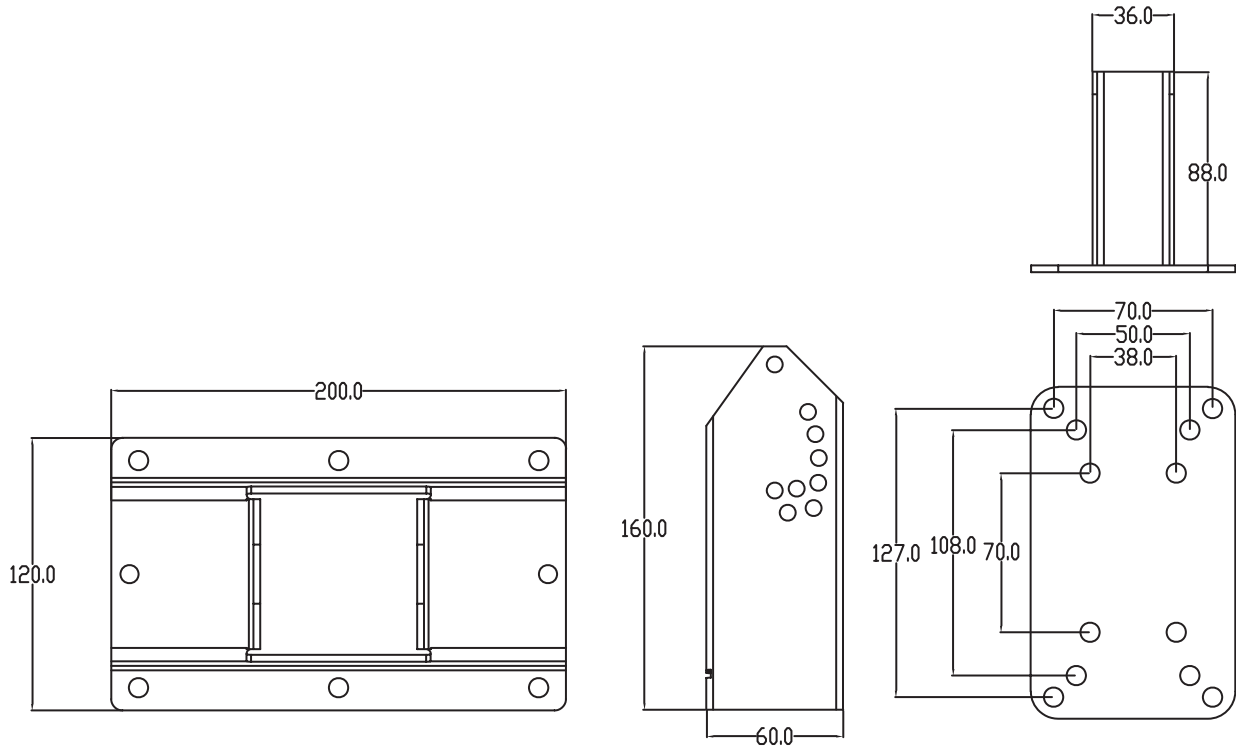


WPB-3 ASSEMBLY

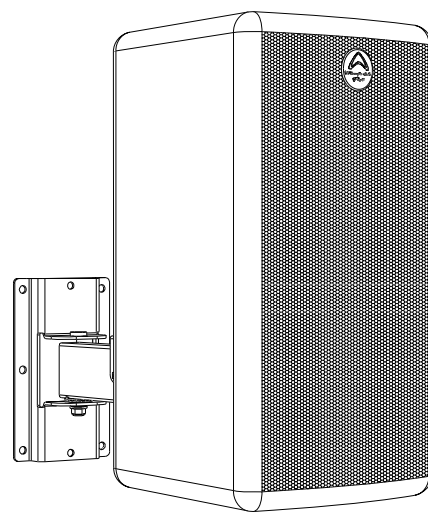
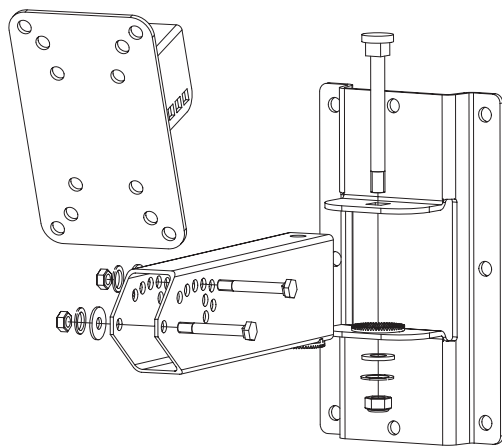




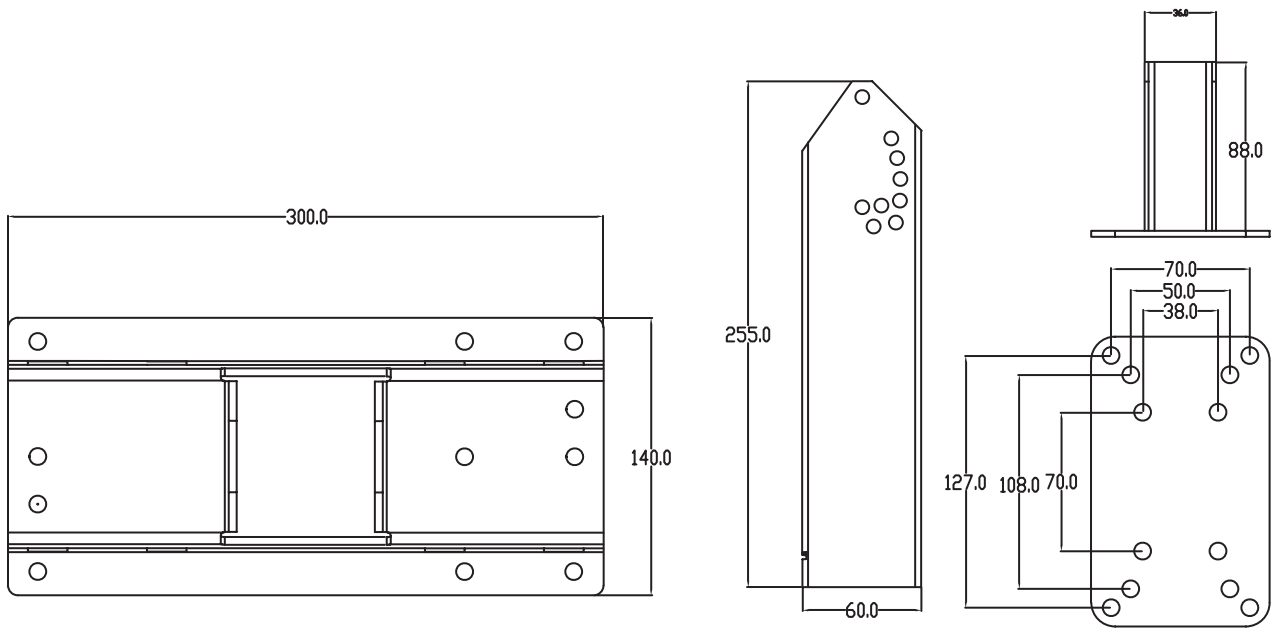
WPB-4 PARTS AND SPECIFICATIONS



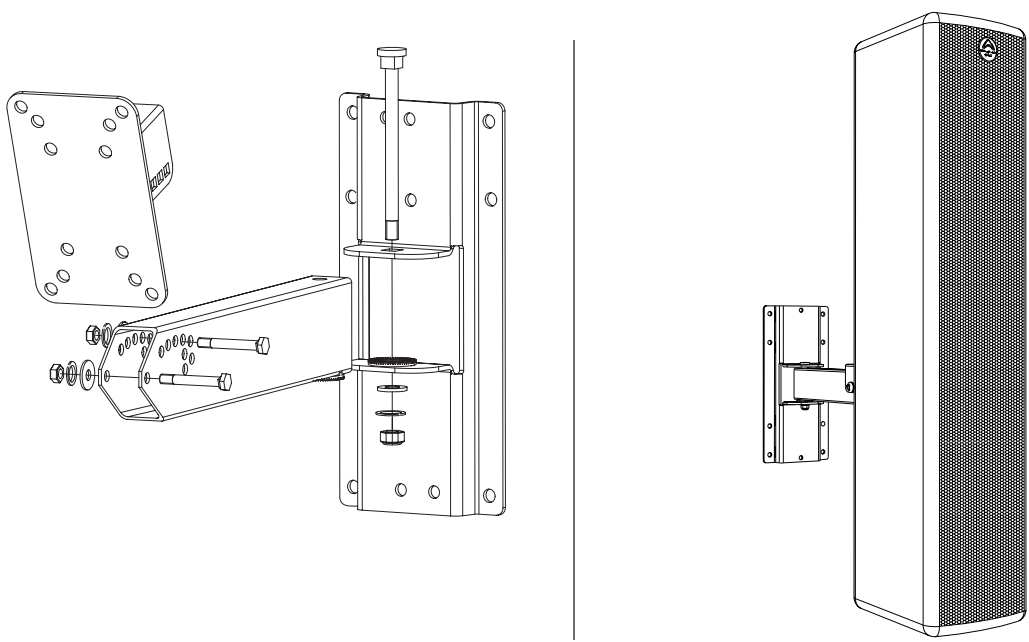
WPB-4 ASSEMBLY



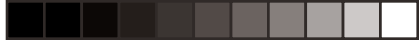
WPB-5 PARTS AND SPECIFICATIONS



WPB-5 ASSEMBLY







*Wharfedale
Pro*

WHARFEDALE PROFESSIONAL

IAG House, 13/14 Glebe Road, Huntingdon, Cambridgeshire, PE29 7DL, UK

www.wharfedalepro.com

Wharfedale Professional reserves the right to alter or improve specifications without notice.

All rights reserved © 2023 Wharfedale Pro. Wharfedale Pro is a member of the IAG Group.

April 2023

