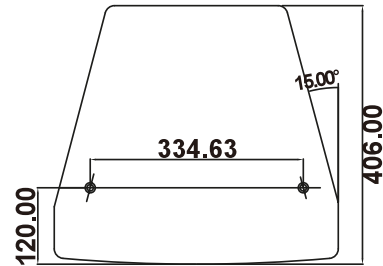
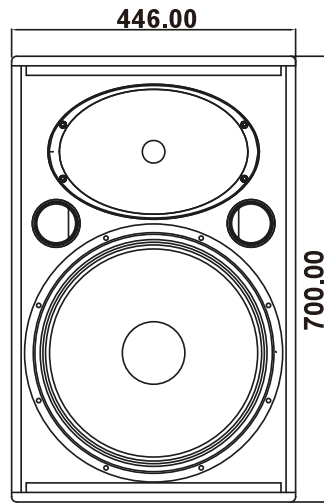


Wharfedale
Pro

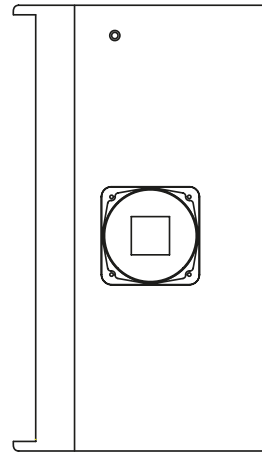
MODEL : DELTA X15



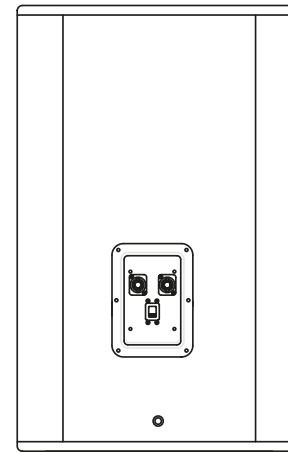
TOP VIEW



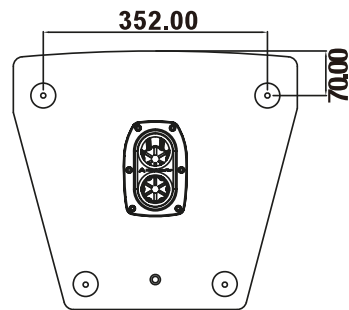
FRONT VIEW



SIDE VIEW



REAR VIEW



BOTTOM VIEW

System Type	Passive
Configuration	Two-way
Frequency Response (+/-3dB)	50-20KHZ
Frequency Range (- 10 dB)	45-20KHZ
Sensitivity (2.83v/1m)	98dB
Calculated Maximum SPL @1m	131dB
System Rated Impedance	8Ω
Low Frequency Transducer	
Size	404mm / 15" Paper
Voice Coil Size	77.1mm / 3"
Rated Impedance	8Ω
LF Power (re: AES2-2012)	500W
High Frequency Transducer	
HF Driver Type	Compression Driver
Voice Coil Size	50.8mm / 2" Titanium
Exit Size	35.6mm / 1.4"
Diaphragm Material	Titanium
Rated Impedance	8Ω
HF Power (re: AES2-2012)	50W
Nominal Coverage (H x V)	90° x 45°
Power	
System Continuous Power	500W
System Programme Power	1000W
System Peak Power	2000W
Crossover frequency	1.8kHz
Input Connector	2 x NL4 (speakON Compatible)
Hardware	
Pole Mount	Dual Angle (0° / 10°) 35mm Socket
Handles	2 on Sides
Rigging points	6 x M10
Enclosure Material	15mm Plywood
Finish	black paint
Grille Material & Finish	1.5 mm Steel Black
Dimensions - Unpacked	
Height	700mm / 27.6"
Width Front	446mm / 17.6"
Width Rear	281.4mm / 11.1"
Depth	406mm / 16.0"
Dimensions - Packed	
Height	803mm / 31.6"
Width Front	622mm / 24.5"
Width Rear	622mm / 24.5"
Depth	498mm / 19.6"
Weight	
Net Weight (kg / lbs)	29.9kg / 65.9lbs
Gross Weight (kg / lbs)	35.5kg / 78.1lbs