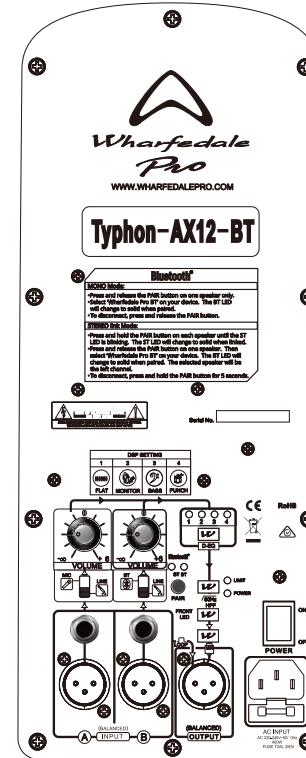
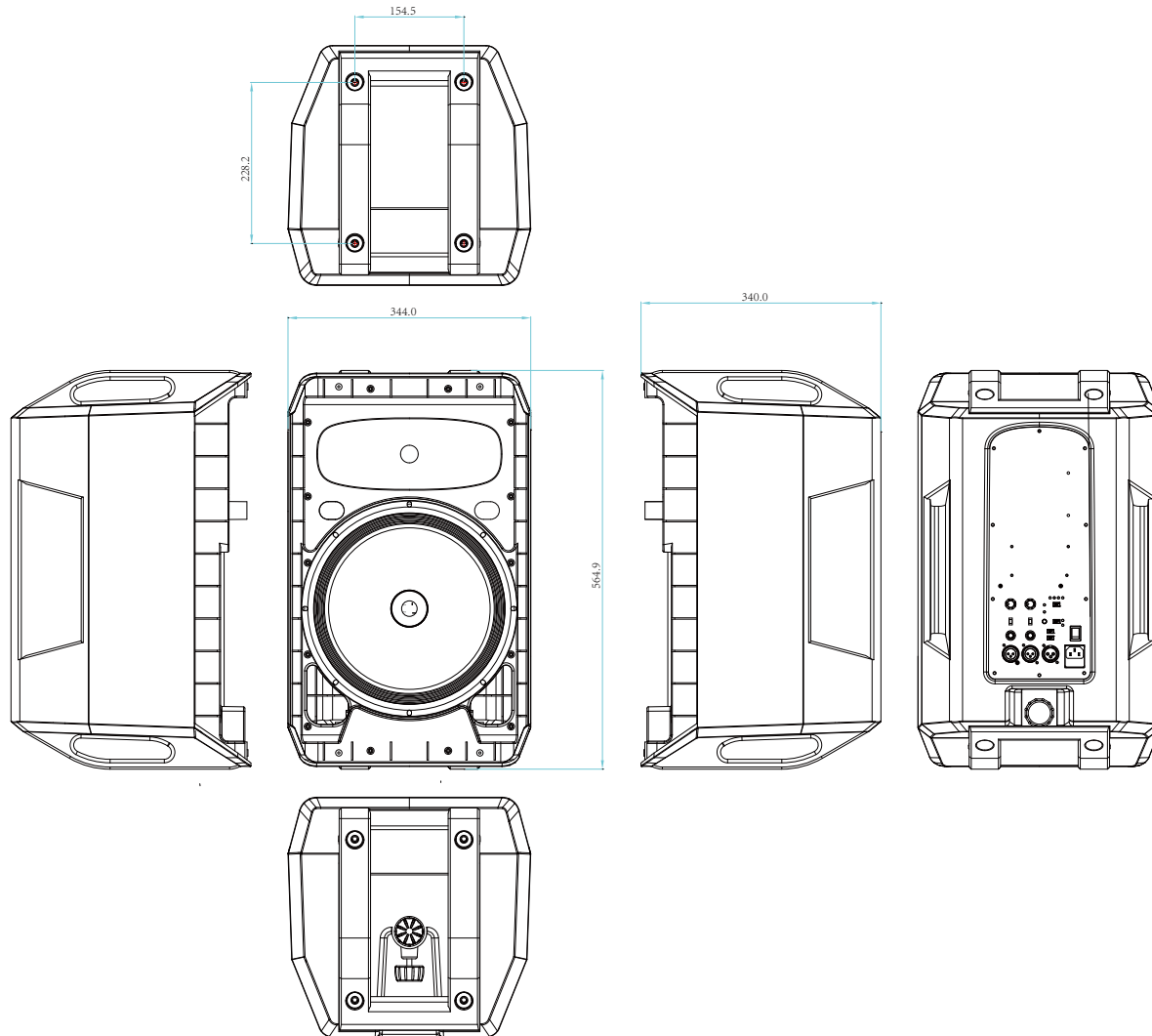


Wharfedale  
Pro

MODEL : Typhon-AX12-BT



Rear Panel

Model Name	Typhon-AX12-BT
System Type	Active 12" 2-way
Frequency Response (+/-3dB)	55Hz-20KHz
Frequency Range (-10 dB)	50Hz-20KHz
Maximum SPL (peak @1m)	129dB
Sensitivity (@ 1W / 1m)	98dB
<b>Low Frequency Transducer</b>	
Size (mm / inches)	305mm / 12"
Voice-Coil Size (mm / inches)	65mm / 2.5"
Rated Impedance	4Ω
<b>High Frequency Transducer</b>	
HF Driver Type	Compression Driver
Coil Size (mm / inches)	44mm / 1.75"
Exit Size (mm / inches)	25mm / 1"
Diaphragm Material	Titanium
Rated Impedance	8Ω
Nominal Coverage (H x V)	Hybrid Symmetry Horn 100° x 80°
<b>Amplifiers</b>	
Amplifiers	2 x Class D
Power Rating:	140W Peak (1200W LF + 240W HF), 720W Continuous (600W LF + 120W HF)
DSP Controls--D-EQ	FLAT/MONITOR/BASS/PUNCH
<b>Amplifier Protection</b>	
Power On Protection	Yes
Thermal Protection	Yes
Low Line Voltage Shut Down	Yes
Driver Protection	Yes
DC Protection	Yes
Short Protection	Yes
Clip Limiter	Yes
Limiter Indicator	Yes
Power Indicator	Yes
<b>Inputs</b>	
Input A - type	Balanced/Bluetooth(aptX,with Link Stereo)
Input Sensitivity	775mV (0dBu)
Maximum Input Level	4V
Input Connectors	2 x XLR, 2 x 6.3mm (Line/MIC)
Input Impedance	20K ohms
<b>Line Output</b>	
Line Output Connector	XLR
Loop Gain	0dB
<b>AC Power details</b>	
Power Supply	220-240VAC / 100-120VAC 50/60Hz
<b>Rigging / Bracket / Mounting Options</b>	
Handles	9 x M8 threaded inserts
Enclosure	Pole-mount receptacle with lock screw
Enclosure Material and finish	Optional WPB-2 wall-mount bracket
Colour Options	4 carry handles (on top and bottom side)
Grille Material & Finish	Black paint
Grille Material & Finish	steel
<b>Dimensions - Unpacked (mm / inches):</b>	
Height	558mm / 22.0"
Width Front	344mm / 13.6"
Width Rear	245mm / 9.6"
Depth	340mm / 13.4"
<b>Dimensions - Packed (mm / inches):</b>	
Height	645mm / 25.4"
Width Front	425mm / 16.7"
Width Rear	425mm / 16.7"
Depth	419mm / 16.5"
Net Weight (kg / lbs)	16.2kg / 35.6lbs
Gross Weight (kg / lbs)	18.9kg / 41.6lbs