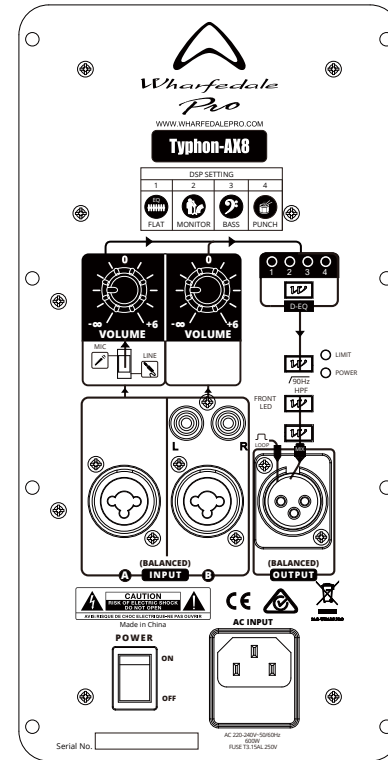
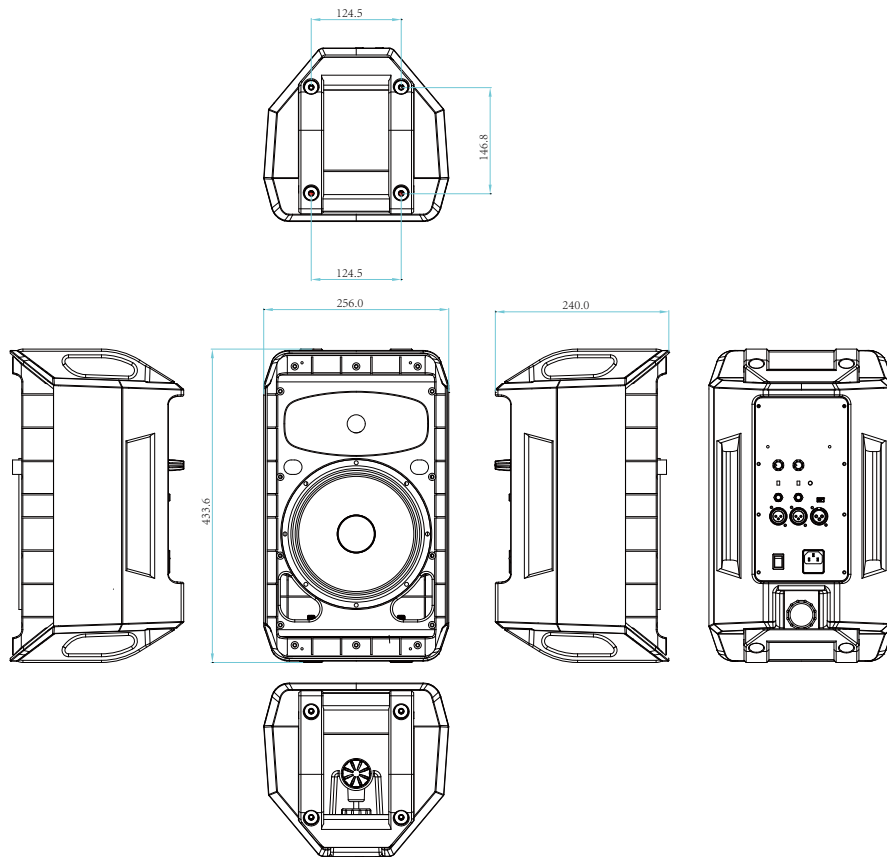


Wharfedale
Pro

MODEL : Typhon-AX8



Rear Panel

Model Name	Typhon-AX8
System Type	Active 8" 2-way
Frequency Response (+/-3dB)	65Hz-20KHz
Frequency Range (-10 dB)	60Hz-20KHz
Maximum SPL (peak @1m)	127dB
Sensitivity (@ 1W / 1m)	96dB
Low Frequency Transducer	
Size (mm / inches)	203.8mm / 8"
Voice-Coil Size (mm / inches)	65mm / 2.5"
Rated Impedance	4Ω
High Frequency Transducer	
HF Driver Type	Compression Driver
Coil Size (mm / inches)	44mm / 1.75"
Exit Size (mm / inches)	25mm / 1"
Diaphragm Material	Titanium
Rated Impedance	8Ω
Nominal Coverage (H x V)	Hybrid Symmetry Horn 100° x 80°
Amplifiers	
Amplifiers	2 x Class D
Power Rating:	1440W Peak (1200W LF + 240W HF), 720W Continuous (600W LF + 120W HF)
DSP Controls--D-EQ	
Amplifier Protection	FLAT/MONITOR/BASS/PUNCH
Power On Protection	Yes
Thermal Protection	Yes
Low Line Voltage Shut Down	Yes
Driver Protection	Yes
DC Protection	Yes
Short Protection	Yes
Clip Limiter	Yes
Limiter Indicator	Yes
Power Indicator	Yes
Inputs	
Input A - type	Balance / RCA
Input Sensitivity	775mV (0dBu)
Maximum Input Level	4V
Input Connectors	2 x XLR, 2 x 6.3mm, 2 x RCA (Line/MIC)
Input Impedance	20K ohms
Line Output	
Line Output Connector	XLR
Loop Gain	0dB
AC Power details	
Power Supply	220-240VAC / 100-120VAC 50/60Hz
Rigging / Bracket / Mounting Options	
Handles	4 carry handles (on top and bottom side)
Enclosure	
Enclosure Material and finish	Injection Moulded Polypropylene
Colour Options	Black paint
Grille Material & Finish	steel
Dimensions - Unpacked (mm / inches):	
Height	433.6mm / 17.1"
Width Front	256mm / 10.1"
Width Rear	100.1mm / 3.9"
Depth	240mm / 9.5"
Dimensions - Packed (mm / inches):	
Height	509mm / 20.0"
Width Front	326mm / 12.8"
Width Rear	326mm / 12.8"
Depth	310mm / 12.2"
Net Weight (kg / lbs)	10.7kg / 23.5lbs
Gross Weight (kg / lbs)	12.7kg / 27.9lbs