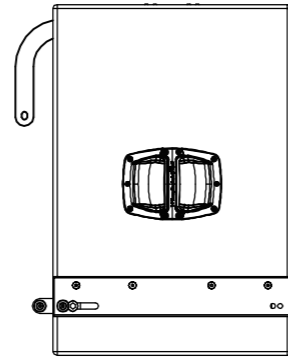
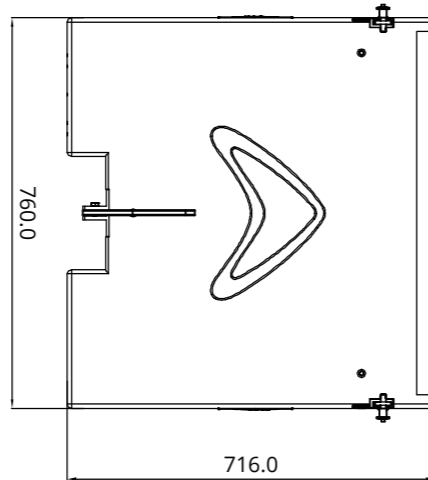


Wharfedale
Pro

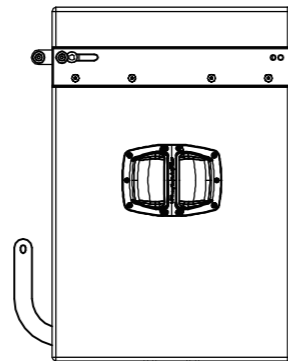
MODEL : **WLA-210X SUB**



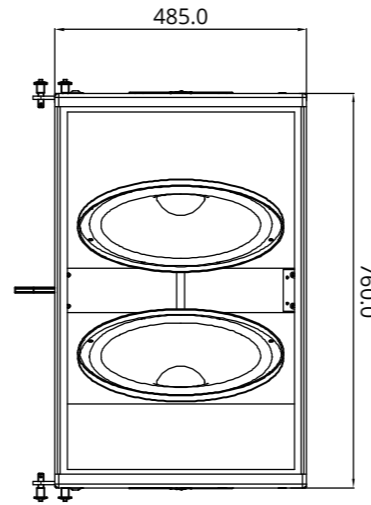
SIDE VIEW



TOP VIEW

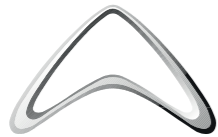


SIDE VIEW



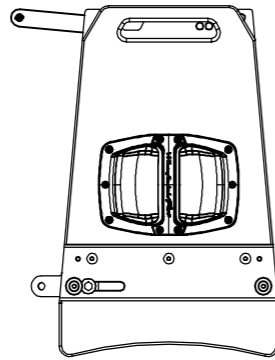
FRONT VIEW

System Type	Passive
Configuration	Dual 15" Subwoofer
Frequency Response (+/-3dB)	39 - 900Hz
Frequency Range (-10 dB)	35 -1.5KHz
Sensitivity (2.83v/1m)	108dB
Calculated Maximum SPL @1m	145dB
System Rated Impedance	4Ω
Low Frequency Transducer	
Size	2 x 381mm / 2 x 15"
Voice Coil Size	101.6mm / 4"
Rated Impedance	8Ω x 2
LF Power (re:AES2-2012)	2 x 600W
High Frequency Transducer	
HF Driver Type	-
Voice Coil Size	-
Exit Size	-
Diaphragm Material	-
Rated Impedance	-
HF Power (re:AES2-2012)	-
Nominal Coverage (H x V)	-
Power	
System Continuous Power	1200W
System Programme Power	2400W
System Peak Power	4800W
Crossover frequency	No
Input Connector	2 x speakON compatible
Hardware	Integral side plate non adjustable
Enclosure	
Enclosure Material	18mm Plywood
Finish	Rhino Black Paint
Grille Material & Finish	1.2mm Black Steel
Dimensions - Unpacked	
Height	485mm / 19.1"
Width Front	760mm / 29.9"
Width Rear	760mm / 29.9"
Depth	716mm / 28.2"
Dimensions - Packed	
Height	575mm / 22.6"
Width Front	850mm / 33.5"
Width Rear	850mm / 33.5"
Depth	806mm / 31.7"
Weight	
Net Weight (kg / lbs)	63.0kg / 138.4lbs
Gross Weight (kg / lbs)	68.0kg / 149.6lbs

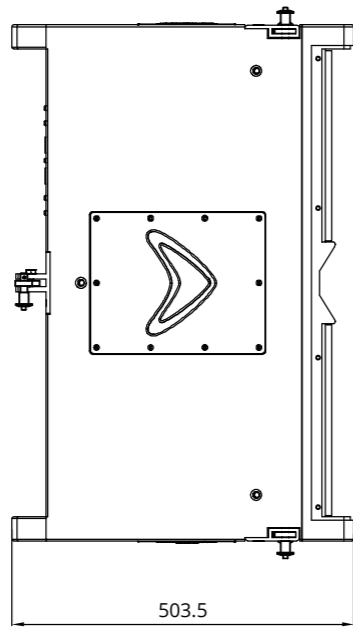


Wharfedale
Pro

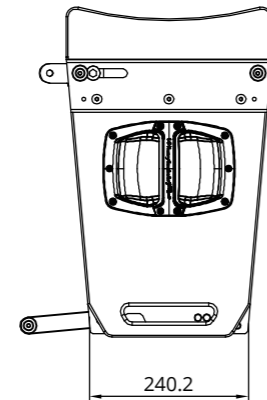
MODEL : **WLA-210X**



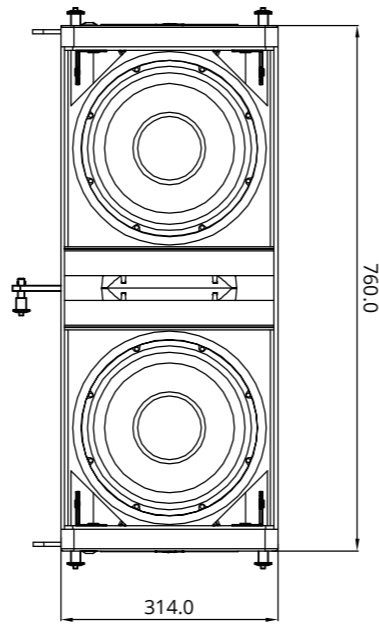
SIDE VIEW



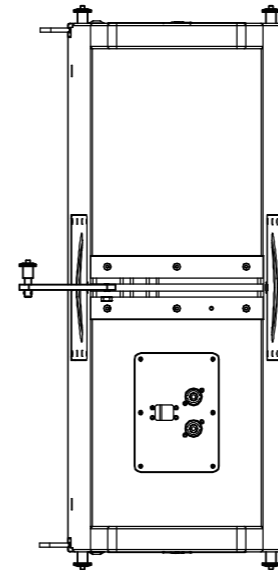
TOP VIEW



SIDE VIEW

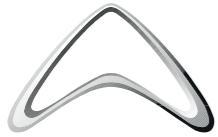


FRONT VIEW



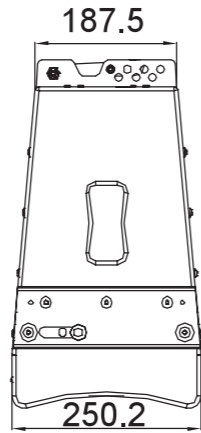
REAR VIEW

System Type	Passive
Configuration	Two-way 2 x 10"
Frequency Response (+/-3dB)	65Hz - 20kHz
Frequency Range (- 10 dB)	60Hz - 20kHz
Sensitivity (2.83v/1m)	102dB
Calculated Maximum SPL @1m	LF:135dB HF:138dB
System Rated Impedance	16Ω
Low Frequency Transducer	
Size	2 x 260mm / 2 x 10"
Voice Coil Size	65mm / 2.5"
Rated Impedance	8Ω x 2
LF Power (re:AES2-2012)	2 x 400W
High Frequency Transducer	
HF Driver Type	Compression Driver - Neo
Voice Coil Size	75mm / 3.0"
Exit Size	35.56mm / 1.4"
Diaphragm Material	Titanium
Rated Impedance	8Ω
HF Power (re:AES2-2012)	80w
Nominal Coverage (H x V)	100° x 10°
Power	
System Continuous Power	LF:800W HF:90W
System Programme Power	LF:1800W HF:180W
System Peak Power	LF:3600W HF:360W
Crossover frequency	1.5kHz
Input Connector	2 x speakON compatible
Hardware	
	Integral side plate adjustable rigging 0°-10°
Enclosure	
Enclosure Material	15mm / 18mm Plywood
Finish	Rhino Black Paint
Grille Material & Finish	1.2mm Black Steel
Dimensions - Unpacked	
Height	314mm / 12.4"
Width Front	760mm / 29.9"
Width Rear	760mm / 29.9"
Depth	518.5mm / 20.4"
Dimensions - Packed	
Height	404mm / 15.9"
Width Front	855mm / 33.7"
Width Rear	855mm / 33.7"
Depth	594mm / 23.4"
Weight	
Net Weight (kg / lbs)	34.8kg / 76.6lbs
Gross Weight (kg / lbs)	38.5kg / 84.7lbs

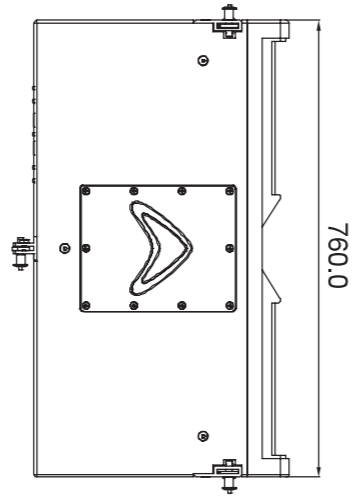


Wharfedale
Pro

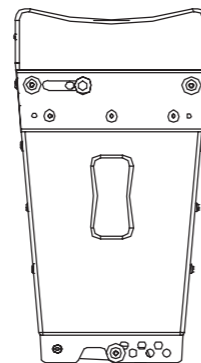
MODEL : **WLA-28**



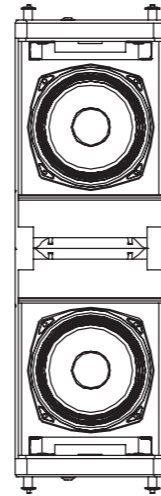
SIDE VIEW



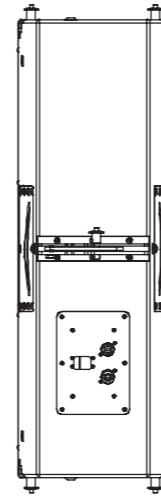
TOP VIEW



SIDE VIEW



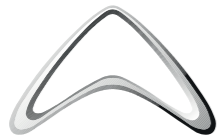
FRONT VIEW



REAR VIEW

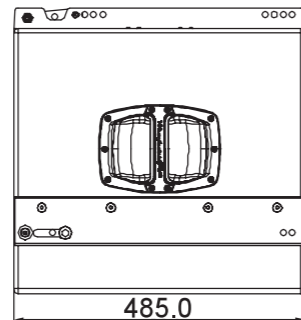
System Type	Passive
Configuration	Two-way 2 x 8"
Frequency Response (+/-3dB)	70Hz - 20kHz
Frequency Range (-10 dB)	65Hz - 20kHz
Sensitivity (2.83v/1m)	100dB
Calculated Maximum SPL @1m	LF:128dB HF:132dB
System Rated Impedance	16Ω
Low Frequency Transducer	
Size	2 x 203.2mm / 2 x 8"
Voice Coil Size	50.8mm / 2"
Rated Impedance	8Ω
LF Power (re:AES2-2012)	2 x 200W
High Frequency Transducer	
HF Driver Type	Compression Driver
Voice Coil Size	81.3mm / 3.2"
Exit Size	35.56mm / 1.4"
Diaphragm Material	Titanium
Rated Impedance	8Ω
HF Power (re:AES2-2012)	80W
Nominal Coverage (H x V)	100° x 10°
Power	
System Continuous Power	LF:400W HF:75W
System Programme Power	LF:800W HF:150W
System Peak Power	LF:1600W HF:300W
Crossover frequency	1.8kHz
Input Connector	2 x speakON compatible
Hardware	
Integral side plate adjustable rigging 0°-10°	
Enclosure	
Enclosure Material	15mm Plywood
Finish	Rhino Black Paint
Grille Material & Finish	1.2mm Black Steel
Dimensions - Unpacked	
Height	250mm / 9.84"
Width Front	424mm / 16.69"
Width Rear	424mm / 16.69"
Depth	760mm / 29.92"
Dimensions - Packed	
Height	375mm / 14.76"
Width Front	545mm / 21.46"
Width Rear	545mm / 21.46"
Depth	855mm / 33.66"
Weight	
Net Weight (kg / lbs)	27kg / 59.52lbs
Gross Weight (kg / lbs)	33kg / 72.75lbs



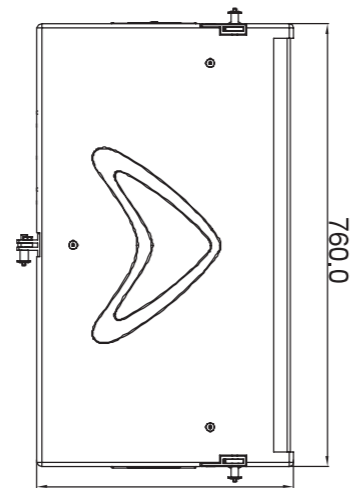


Wharfedale
Pro

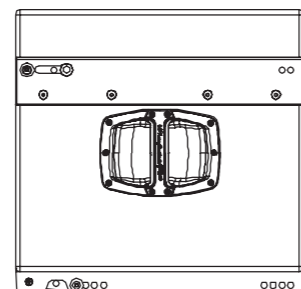
MODEL : **WLA-15B**



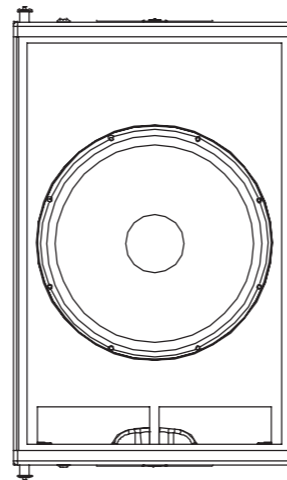
SIDE VIEW



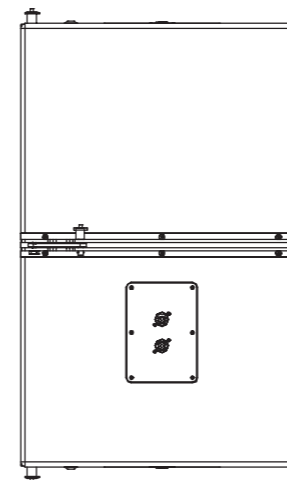
TOP VIEW



SIDE VIEW



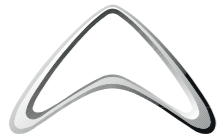
FRONT VIEW



REAR VIEW

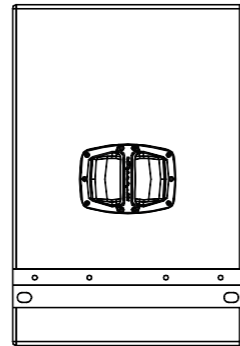
System Type	Passive
Configuration	Subwoofer
Frequency Response (+/-3dB)	40Hz - 1.5kHz
Frequency Range (-10 dB)	35Hz - 1.3kHz
Sensitivity (2.83v/1m)	99dB
Calculated Maximum SPL @1m	133dB
System Rated Impedance	8Ω
Low Frequency Transducer	
Size	381mm / 15"
Voice Coil Size	101.6mm / 4"
Rated Impedance	8Ω
LF Power (re:AES2-2012)	700W
High Frequency Transducer	
HF Driver Type	-
Voice Coil Size	-
Exit Size	-
Diaphragm Material	-
Rated Impedance	-
HF Power (re:AES2-2012)	-
Nominal Coverage (H x V)	-
Power	
System Continuous Power	700W
System Programme Power	1400W
System Peak Power	2800W
Crossover frequency	No
Input Connector	2 x speakON compatible
Hardware	
	Integral side plate non adjustable
Enclosure	
Enclosure Material	15mm Plywood
Finish	Rhino Black Paint
Grille Material & Finish	1.2mm Black Steel
Dimensions - Unpacked	
Height	485mm / 19.09"
Width Front	440mm / 17.32"
Width Rear	440mm / 17.32"
Depth	760mm / 29.92"
Dimensions - Packed	
Height	545mm / 21.46"
Width Front	580mm / 22.83"
Width Rear	580mm / 22.83"
Depth	860mm / 33.86"
Weight	
Net Weight (kg / lbs)	38.5kg / 84.88lbs
Gross Weight (kg / lbs)	46.5kg / 102.51lbs





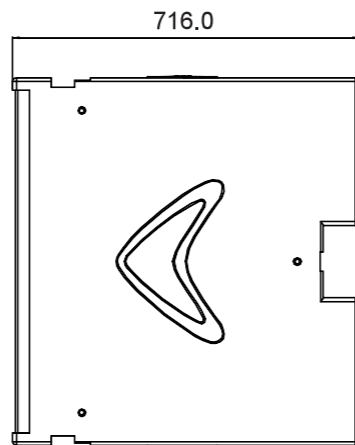
Wharfedale
Pro

MODEL : **WLA-28SUB**



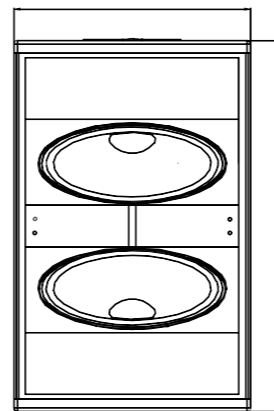
485.0

SIDE VIEW



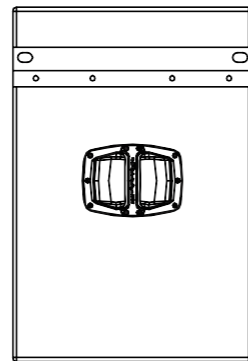
716.0

TOP VIEW



760.0

FRONT VIEW

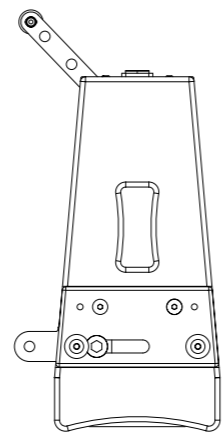


SIDE VIEW

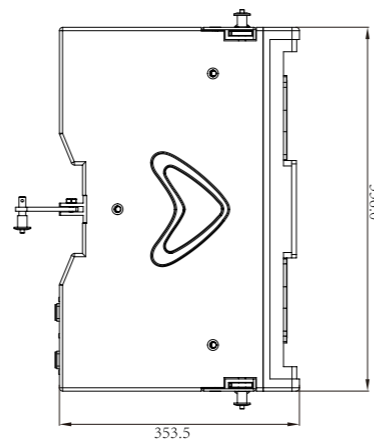
System Type	Passive
Configuration	2 x 15" subwoofer
Frequency Response (+/-3dB)	39Hz-900Hz
Frequency Range (-10 dB)	39Hz-1.5kHz
Sensitivity (2.83v/1m)	108dB
Calculated Maximum SPL @1m	145dB
System Rated Impedance	4Ω
Low Frequency Transducer	
Size	2 * 381mm / 15"
Voice Coil Size	100mm / 4"
Rated Impedance	2 x 8Ω
LF Power (re:AES2-2012)	2 x 600w
High Frequency Transducer	
HF Driver Type	-
Voice Coil Size	-
Exit Size	-
Diaphragm Material	-
Rated Impedance	-
HF Power (re:AES2-2012)	-
Nominal Coverage (H x V)	-
Power	
System Continuous Power	1200W
System Programme Power	2400W
System Peak Power	4800W
Crossover frequency	No
Input Connector	2 x speakON compatible
Hardware	
	Integral side plate non adjustable
Enclosure	
Enclosure Material	15mm,18mm Plywood
Finish	Rhino Black Paint
Grille Material & Finish	1.2mm Black Steel
Dimensions - Unpacked	
Height	485mm / 19.1"
Width Front	716mm / 28.2"
Width Rear	716mm / 28.2"
Depth	760mm / 29.9"
Dimensions - Packed	
Height	850mm / 33.5"
Width Front	575mm / 22.6"
Width Rear	575mm / 22.6"
Depth	806mm / 31.7"
Weight	
Net Weight (kg / lbs)	61.2kg / 134.6lbs
Gross Weight (kg / lbs)	66kg / 145.2lbs



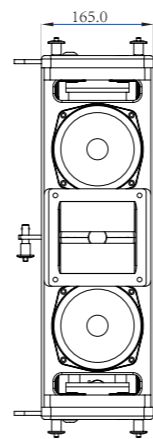
MODEL : **WLA-25**



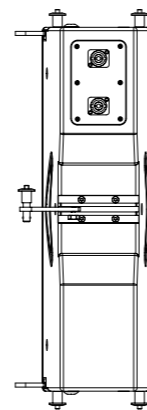
SIDE VIEW



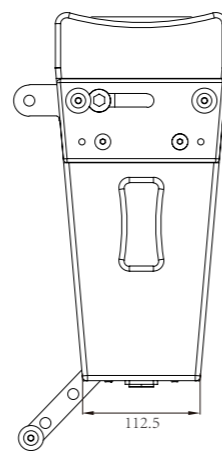
TOP VIEW



FRONT VIEW

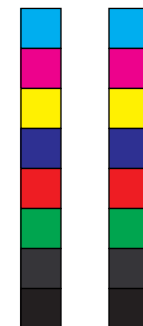


REAR VIEW



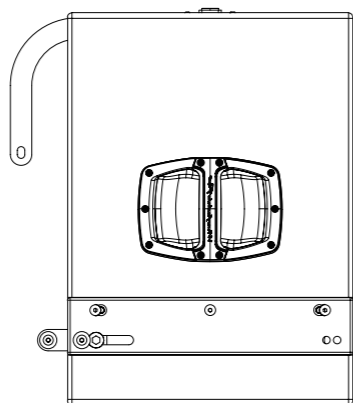
SIDE VIEW

System Type	Passive
Configuration	Two-way
Frequency Response (+/-3dB)	108Hz-18KHz
Frequency Range (- 10 dB)	108Hz-20KHz
Sensitivity (2.83v/1m)	HF:108dB/LF:100dB
Calculated Maximum SPL @1m	HF:135dB/LF:127dB
System Rated Impedance	16Ω
Low Frequency Transducer	
Size	2 x 130mm / 5"
Voice Coil Size	35.0mm / 1.4"
Rated Impedance	16Ω
LF Power (re:AES2-2012)	2 x 60W
High Frequency Transducer	
HF Driver Type	Compression Driver - Neo
Voice Coil Size	44mm / 1.75"
Exit Size	1"
Diaphragm Material	Titanium
Rated Impedance	16Ω
HF Power (re:AES2-2012)	40W
Nominal Coverage (H x V)	100° x 10°
Power	
System Continuous Power	120W
System Programme Power	240W
System Peak Power	480W
Crossover frequency	3.7KHz
Input Connector	2 x speakON compatible
Hardware	Integral side plate adjustable rigging 0°-10°
Enclosure	
Enclosure Material	15mm,18mm Plywood
Finish	Rhino Black or white paint
Grille Material & Finish	Steel
Dimensions - Unpacked	
Height	536mm / 21.10"
Width Front	363mm / 14.29"
Width Rear	363mm / 14.29"
Depth	164.5mm / 6.47"
Dimensions - Packed	
Height	606mm / 23.85"
Width Front	430mm / 16.92"
Width Rear	430mm / 16.92"
Depth	235mm / 9.25"
Weight	
Net Weight (kg / lbs)	13kg / 28.6lbs
Gross Weight (kg / lbs)	15kg / 33.0lbs

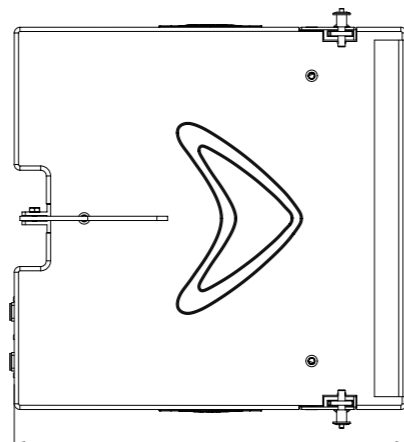




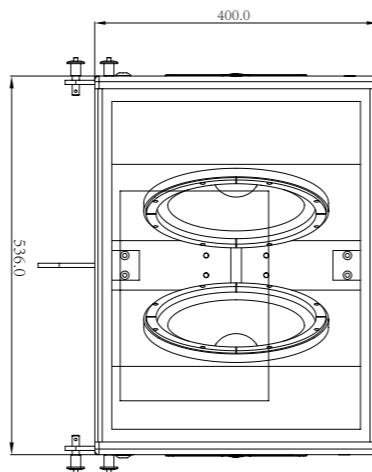
MODEL : **WLA-25SUB**



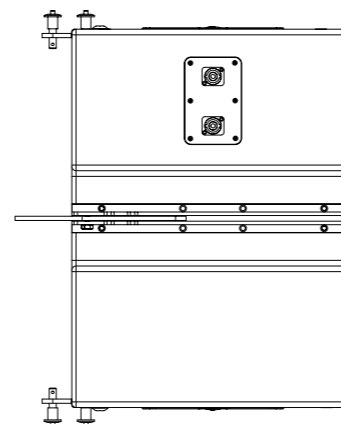
SIDE VIEW



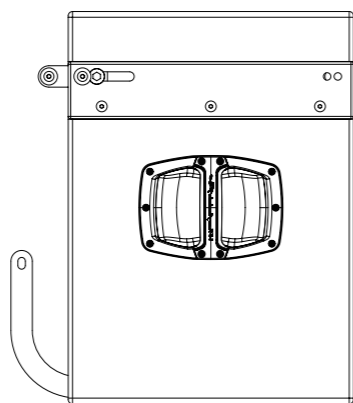
TOP VIEW



FRONT VIEW

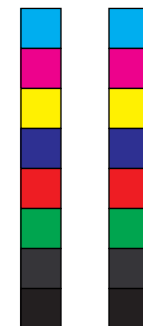


REAR VIEW



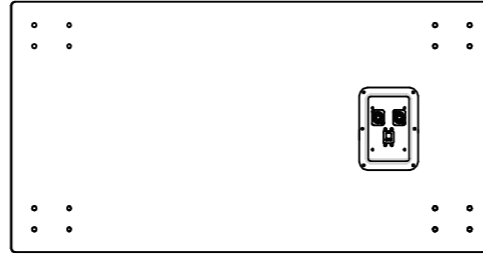
SIDE VIEW

System Type	Passive
Configuration	2 x 10" subwoofer
Frequency Response (+/-3dB)	56Hz-1.5kHz
Frequency Range (- 10 dB)	56Hz-2.0kHz
Sensitivity (2.83v/1m)	107dB
Calculated Maximum SPL @1m	141dB
System Rated Impedance	4Ω
Low Frequency Transducer	
Size	2 x 254mm / 10"
Voice Coil Size	65.5mm / 2.5"
Rated Impedance	8Ω
LF Power (re:AES2-2012)	2 x 350W
High Frequency Transducer	
HF Driver Type	-
Voice Coil Size	-
Exit Size	-
Diaphragm Material	-
Rated Impedance	-
HF Power (re:AES2-2012)	-
Nominal Coverage (H x V)	-
Power	
System Continuous Power	700W
System Programme Power	1400W
System Peak Power	2800W
Crossover frequency	-
Input Connector	2 x speakON compatible
Hardware	
	Integral, non adjustable
Enclosure	
Enclosure Material	15mm,18mm Plywood
Finish	Rhino Black or white paint
Grille Material & Finish	Steel
Dimensions - Unpacked	
Height	536mm / 21.10"
Width Front	400mm / 15.74"
Width Rear	400mm / 15.74"
Depth	550mm / 21.65"
Dimensions - Packed	
Height	610mm / 24.01"
Width Front	470mm / 18.50"
Width Rear	470mm / 18.50"
Depth	596mm / 23.46"
Weight	
Net Weight (kg / lbs)	37kg / 81.57lbs
Gross Weight (kg / lbs)	39.5kg / 87.08lbs

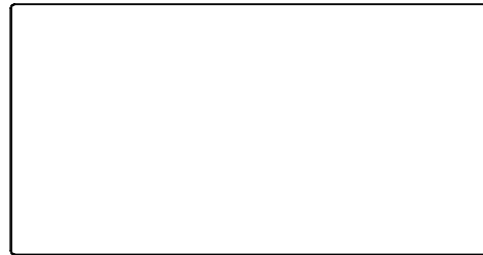




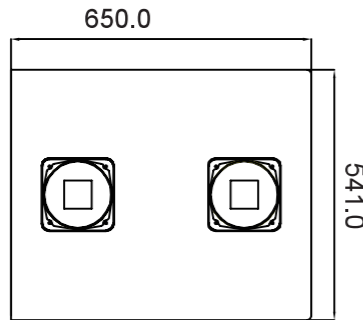
MODEL : **WLA-218SUB**



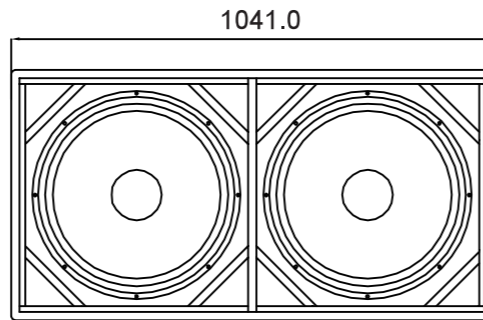
REAR VIEW



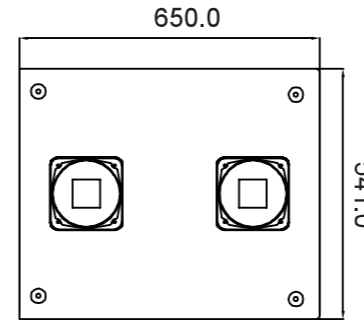
TOP VIEW



SIDE VIEW



FRONT VIEW

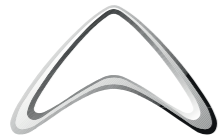


SIDE VIEW



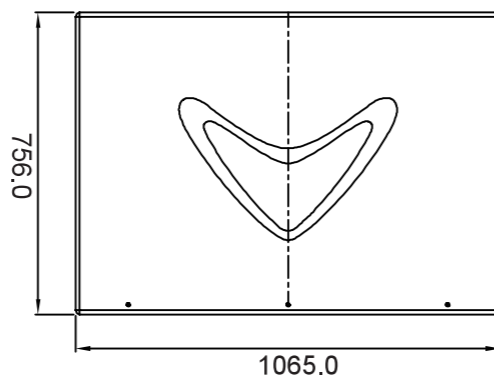
BOTTOM VIEW

System Type	Passive
Configuration	2 x 18" Dual Chamber Sub
Frequency Response (+/-3dB)	30Hz - 1.5kHz
Frequency Range (-10 dB)	30Hz - 1.5kHz
Sensitivity (2.83v/1m)	100dB
Calculated Maximum SPL @1m	138dB
System Rated Impedance	Parallel 4Ω, Discrete 8Ω x 2
Low Frequency Transducer	
Size	2 x 470mm / 18"
Voice Coil Size	102mm / 4"
Rated Impedance	2 x 8Ω
LF Power (re:AES2-2012)	2 x 800w
High Frequency Transducer	
HF Driver Type	-
Voice Coil Size	-
Exit Size	-
Diaphragm Material	-
Rated Impedance	-
HF Power (re:AES2-2012)	-
Nominal Coverage (H x V)	-
Power	
System Continuous Power	1600w Parallel / 800w Discrete
System Programme Power	3200w Parallel / 1600w Discrete
System Peak Power	6400w Parallel / 3200w Discrete
Crossover frequency	
Input Connector	2 x speakON compatible
Hardware	
	Integral, non adjustable
Enclosure	
Enclosure Material	18mm Plywood
Finish	Rhino Rock black paint
Grille Material & Finish	Steel
Dimensions - Unpacked	
Height	541mm / 21.3"
Width Front	1041mm / 41"
Width Rear	1041mm / 41"
Depth	650mm / 25.6"
Dimensions - Packed	
Height	626mm / 25.6"
Width Front	1126mm / 44.3"
Width Rear	1126mm / 44.3"
Depth	722mm / 28.4"
Weight	
Net Weight (kg / lbs)	78.9kg / 173.5lbs
Gross Weight (kg / lbs)	86kg / 189.6lbs

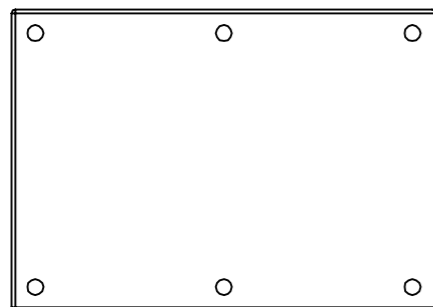


Wharfedale
Pro

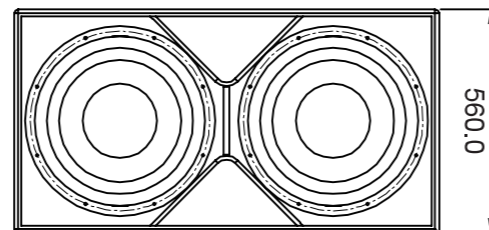
MODEL : **WLA-218B**



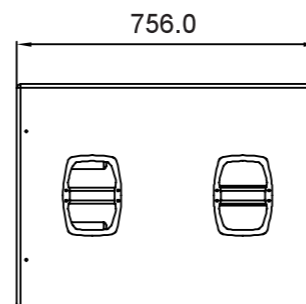
TOP VIEW



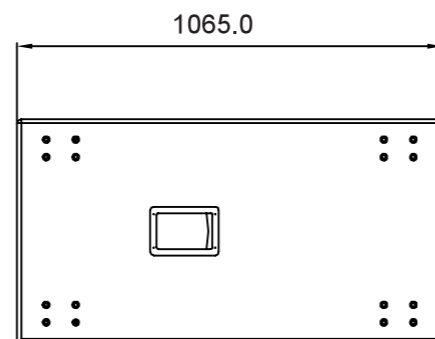
BOTTOM VIEW



FRONT VIEW



SIDE VIEW



REAR VIEW

System Type	Passive
Configuration	2 x 18" subwoofer
Frequency Response (+/-3dB)	30Hz - 1kHz
Frequency Range (-10 dB)	25Hz - 800Hz
Sensitivity (2.83v/1m)	109dB
Calculated Maximum SPL @1m	148dB
System Rated Impedance	4Ω
Low Frequency Transducer	
Size	2 x 470mm / 18"
Voice Coil Size	102mm / 4"
Rated Impedance	2 x 8Ω
LF Power (re:AES2-2012)	2 x 1000w
High Frequency Transducer	
HF Driver Type	-
Voice Coil Size	-
Exit Size	-
Diaphragm Material	-
Rated Impedance	-
HF Power (re:AES2-2012)	-
Nominal Coverage (H x V)	-
Power	
System Continuous Power	2000w
System Programme Power	4000w
System Peak Power	8000w
Crossover frequency	
Input Connector	2 x speakON compatible
Hardware	
	Integral, non adjustable
Enclosure	
Enclosure Material	18mm Plywood
Finish	Rhino Rock black paint
Grille Material & Finish	Steel
Dimensions - Unpacked	
Height	560mm / 22"
Width Front	1065mm / 41.9"
Width Rear	1065mm / 41.9"
Depth	756mm / 29.8"
Dimensions - Packed	
Height	638mm / 25.1"
Width Front	1138mm / 44.8"
Width Rear	1138mm / 44.8"
Depth	829mm / 32.6"
Weight	
Net Weight (kg / lbs)	74.3kg / 164lbs
Gross Weight (kg / lbs)	88.2kg / 194lbs