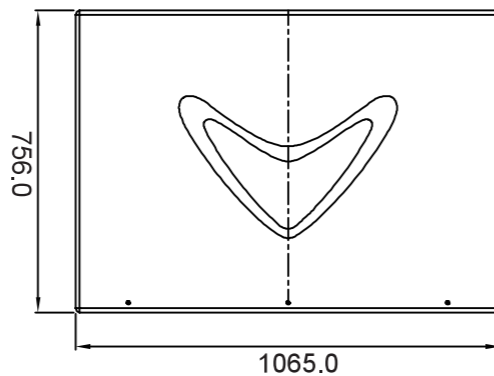
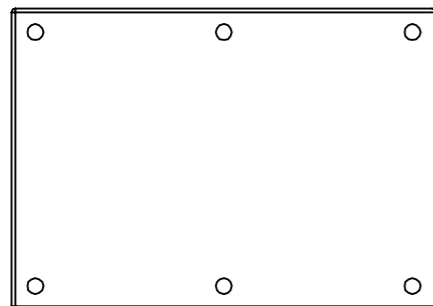


Wharfedale
Pro

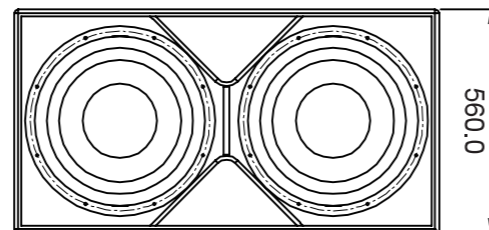
MODEL : **WLA-218B**



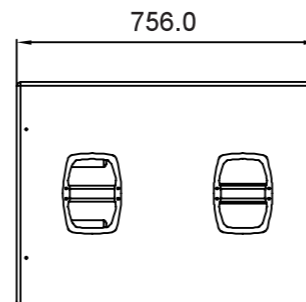
TOP VIEW



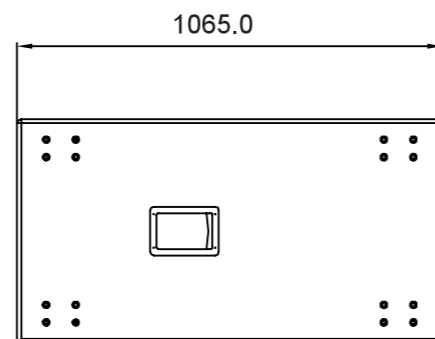
BOTTOM VIEW



FRONT VIEW



SIDE VIEW



REAR VIEW

System Type	Passive
Configuration	2 x 18" subwoofer
Frequency Response (+/-3dB)	30Hz - 1kHz
Frequency Range (-10 dB)	25Hz - 800Hz
Sensitivity (2.83v/1m)	109dB
Calculated Maximum SPL @1m	148dB
System Rated Impedance	4Ω
Low Frequency Transducer	
Size	2 x 470mm / 18"
Voice Coil Size	102mm / 4"
Rated Impedance	2 x 8Ω
LF Power (re:AES2-2012)	2 x 1000w
High Frequency Transducer	
HF Driver Type	-
Voice Coil Size	-
Exit Size	-
Diaphragm Material	-
Rated Impedance	-
HF Power (re:AES2-2012)	-
Nominal Coverage (H x V)	-
Power	
System Continuous Power	2000w
System Programme Power	4000w
System Peak Power	8000w
Crossover frequency	
Input Connector	2 x speakON compatible
Hardware	
	Integral, non adjustable
Enclosure	
Enclosure Material	18mm Plywood
Finish	Rhino Rock black paint
Grille Material & Finish	Steel
Dimensions - Unpacked	
Height	560mm / 22"
Width Front	1065mm / 41.9"
Width Rear	1065mm / 41.9"
Depth	756mm / 29.8"
Dimensions - Packed	
Height	638mm / 25.1"
Width Front	1138mm / 44.8"
Width Rear	1138mm / 44.8"
Depth	829mm / 32.6"
Weight	
Net Weight (kg / lbs)	74.3kg / 164lbs
Gross Weight (kg / lbs)	88.2kg / 194lbs