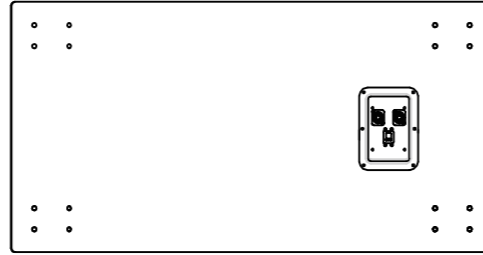




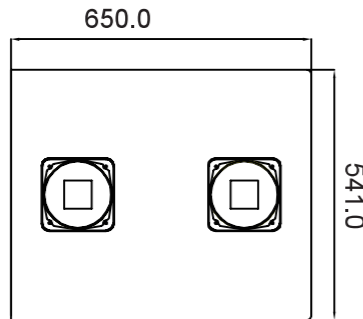
MODEL : **WLA-218SUB**



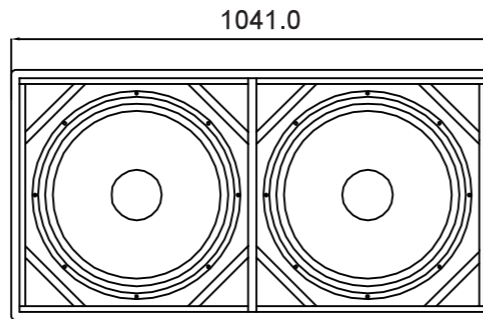
REAR VIEW



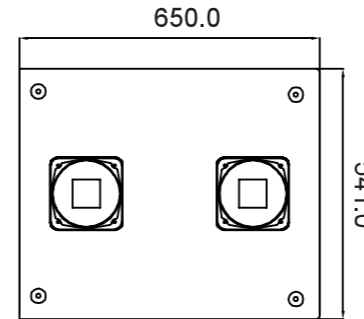
TOP VIEW



SIDE VIEW



FRONT VIEW



SIDE VIEW



BOTTOM VIEW

System Type	Passive
Configuration	2 x 18" Dual Chamber Sub
Frequency Response (+/-3dB)	30Hz - 1.5kHz
Frequency Range (-10 dB)	30Hz - 1.5kHz
Sensitivity (2.83v/1m)	100dB
Calculated Maximum SPL @1m	138dB
System Rated Impedance	Parallel 4Ω, Discrete 8Ω x 2
Low Frequency Transducer	
Size	2 x 470mm / 18"
Voice Coil Size	102mm / 4"
Rated Impedance	2 x 8Ω
LF Power (re:AES2-2012)	2 x 800w
High Frequency Transducer	
HF Driver Type	-
Voice Coil Size	-
Exit Size	-
Diaphragm Material	-
Rated Impedance	-
HF Power (re:AES2-2012)	-
Nominal Coverage (H x V)	-
Power	
System Continuous Power	1600w Parallel / 800w Discrete
System Programme Power	3200w Parallel / 1600w Discrete
System Peak Power	6400w Parallel / 3200w Discrete
Crossover frequency	
Input Connector	2 x speakON compatible
Hardware	
	Integral, non adjustable
Enclosure	
Enclosure Material	18mm Plywood
Finish	Rhino Rock black paint
Grille Material & Finish	Steel
Dimensions - Unpacked	
Height	541mm / 21.3"
Width Front	1041mm / 41"
Width Rear	1041mm / 41"
Depth	650mm / 25.6"
Dimensions - Packed	
Height	626mm / 25.6"
Width Front	1126mm / 44.3"
Width Rear	1126mm / 44.3"
Depth	722mm / 28.4"
Weight	
Net Weight (kg / lbs)	78.9kg / 173.5lbs
Gross Weight (kg / lbs)	86kg / 189.6lbs